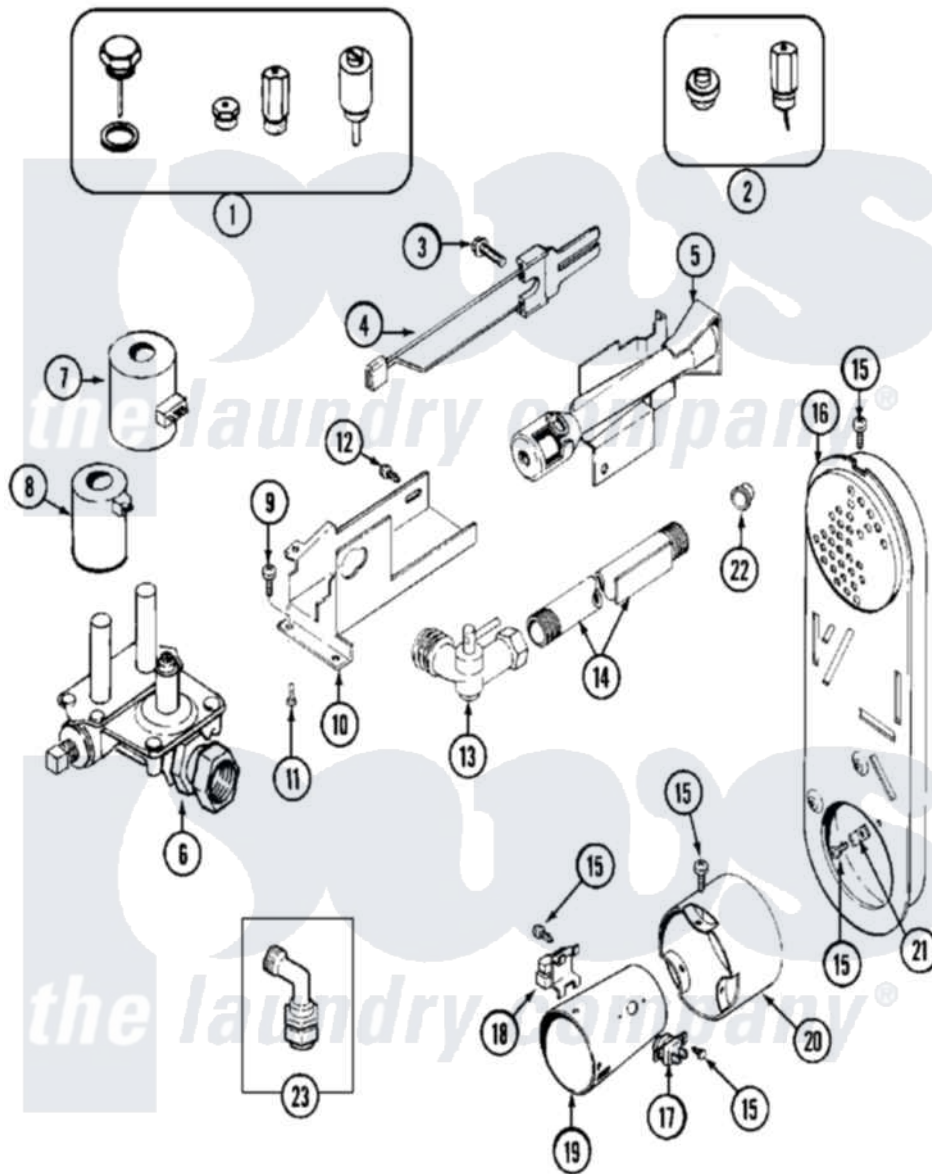


# Maytag MLG19PRAWW 06 - GAS VALVE (DRYER)



Maytag Commercial Maytag MLG19PRAWW Dryer Parts Parts Diagram 06 - GAS VALVE (DRYER)  
 Click on the part number to view part

Item	Original Part Number	Replaced By	Status	Part Description
001	Y306195	<a href="#">MAL9000AXX</a>		LP Gas Con
"	Y308378	<a href="#">W10402145</a>		LP Gas Con
002	306204	<a href="#">33002924</a>		Gas Conv K
"	Y308377		Not Available	CONVERSION KIT (LP TO NATURAL)
003	<a href="#">304971</a>			Screw Note: Screw, Igniter
004	304970	<a href="#">4391996</a>		Ignitor
"	<a href="#">33002789</a>			Igniter Assembly
005	33001247	<a href="#">33002793</a>		Burner Assembly
"	<a href="#">33002793</a>			Burner Assembly
006	<a href="#">308345</a>			Valve, Gas
"	33002056		Not Available	PLUG, HOLE (UPR)
007	<a href="#">306106</a>			Coil, Holding And Booster--W
008	306105	<a href="#">694540</a>		Coil, 60 Hz
009	<a href="#">Y313561</a>			Screw---NA
010	NLA		Not Available	BRACKET, GAS VALVE---NA

011	314082	<a href="#">90767</a>	Screw, 8A X 3/8 Hex Washer Head Tapping
012	<a href="#">22001995</a>		Screw Note: Screw, Tumbler Front And Shroud
013	<a href="#">306086</a>		Angle Shut Off For Gas Valve
014	<a href="#">33001735</a>		Pipe And Bracket Assembly Series 18 Not Needed Use Vavle
015	<a href="#">211294</a>	<a href="#">90767</a>	Screw, 8A X 3/8 Hex Washer Head Tapping
016	33001810	Not Available	DUCT ASSY., INLET (GAS) NOTE: INLET DUCT ASSEMBLY
017	<a href="#">305169</a>		Thermostat, Hi-Limit Gas
018	Y303377	<a href="#">338906</a>	Radiant, Sensor
019	<a href="#">33001835</a>		Cone Assembly, Combustion
020	<a href="#">Y303841</a>		Cone, Extension
021	<a href="#">Y312890</a>		Retainer, Heater Chamber
022	<a href="#">33001693</a>		Cap, Gas Pipe
023	<a href="#">33002236</a>		Angle Connector Assembly

