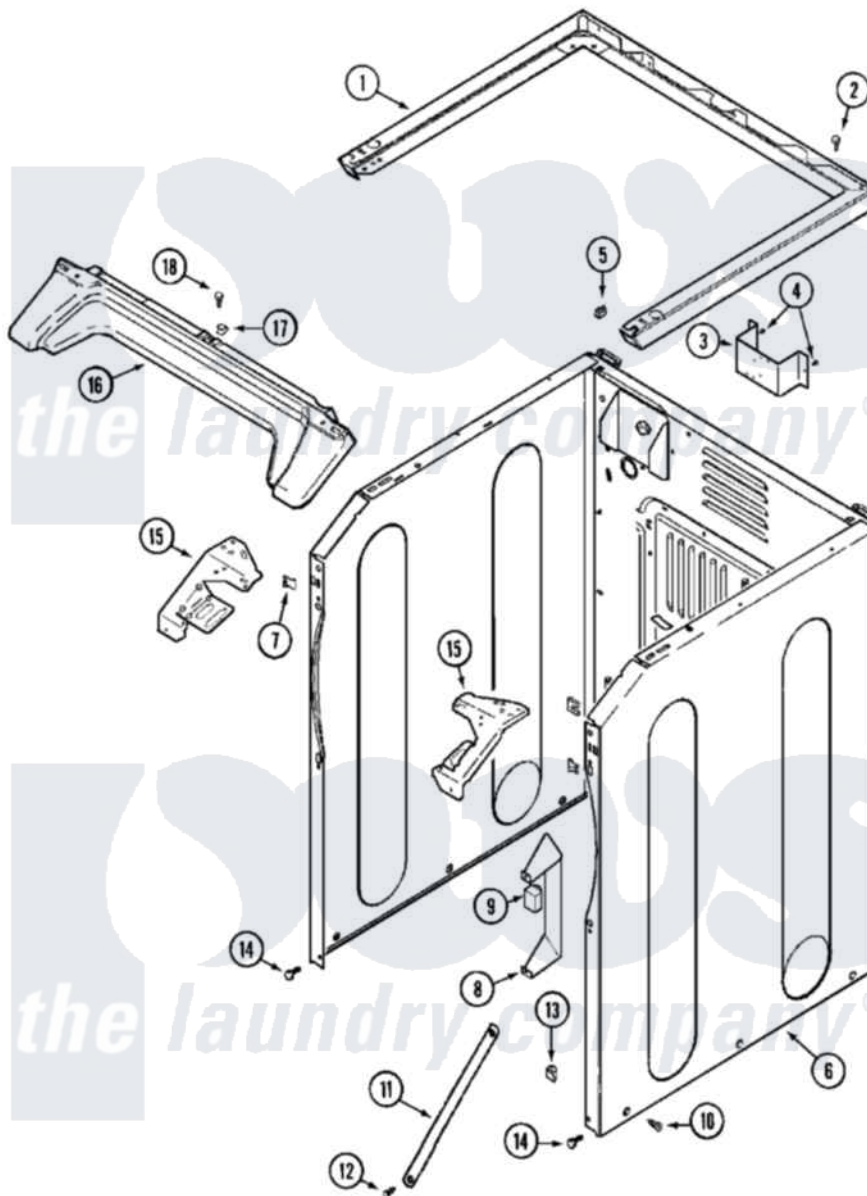


Maytag MLG23PDAWQ 04 - CABINET-FRONT (LOWER)



Maytag Commercial Maytag MLG23PDAWQ Dryer Parts Parts Diagram 04 - CABINET-FRONT (LOWER)
 Click on the part number to view part

| Item | Original Part Number | Replaced By | Status | Part Description |
|------|--------------------------|---------------------------|---------------|---|
| 001 | 33002005 | 33002963 | | Support, Weld Assembly |
| " | 33002446 | 22004153 | | Support We |
| 002 | 22001883 | 214354 | | Screw, Top Cover To Cabnt. |
| 003 | NLA | | Not Available | BRACKET, TERMINAL BLOCK---NA |
| 004 | 22001995 | | | Screw Note: Screw, Tumbler Front And Shroud |
| 005 | 22001502 | | | Fastener, U-NUt |
| 006 | 22003639 | | | Cabinet Assembly |
| " | NLA | | Not Available | CABINET ASSY. (BISQUE AS PK) |
| 007 | 22002049 | | | Clip Note: Clip, Front Panel |
| 008 | Y313561 | | | Screw---NA |
| " | 314627 | | | Bracket, Relays |
| " | Y310632 | 1163839 | | Screw |
| 009 | 206824 | W10133335 | | Relay, Motor |
| " | Y251119 | 3177991 | | Screw |

| | | | |
|-----|--------------------------|--------------------------|---|
| 010 | 213007 | | Xfor Cabinet See Cabinet, Back |
| 011 | 22002259 | 22002767 | Brace, Cross |
| 012 | 22001995 | | Screw Note: Screw, Tumbler Front And Shroud |
| 013 | Y310376 | | Clip, Door Switch Harness |
| 014 | 22001995 | | Screw Note: Screw, Tumbler Front And Shroud |
| 015 | 33002009 | | Bracket, Corner |
| " | 33002010 | 33002473 | Bracket, Corner |
| 016 | 22002664 | | COVER, ACCESS (BSQ) |
| " | 33002011 | | Cover, Access |
| 017 | 33002013 | | Fastener Clip, Access Cover |
| 018 | 22001995 | | Screw Note: Screw, Tumbler Front And Shroud |
| 019 | 33002054 | | Wire Harness, Main |
| 020 | 33001989 | | Retainer, Vault Switch |

