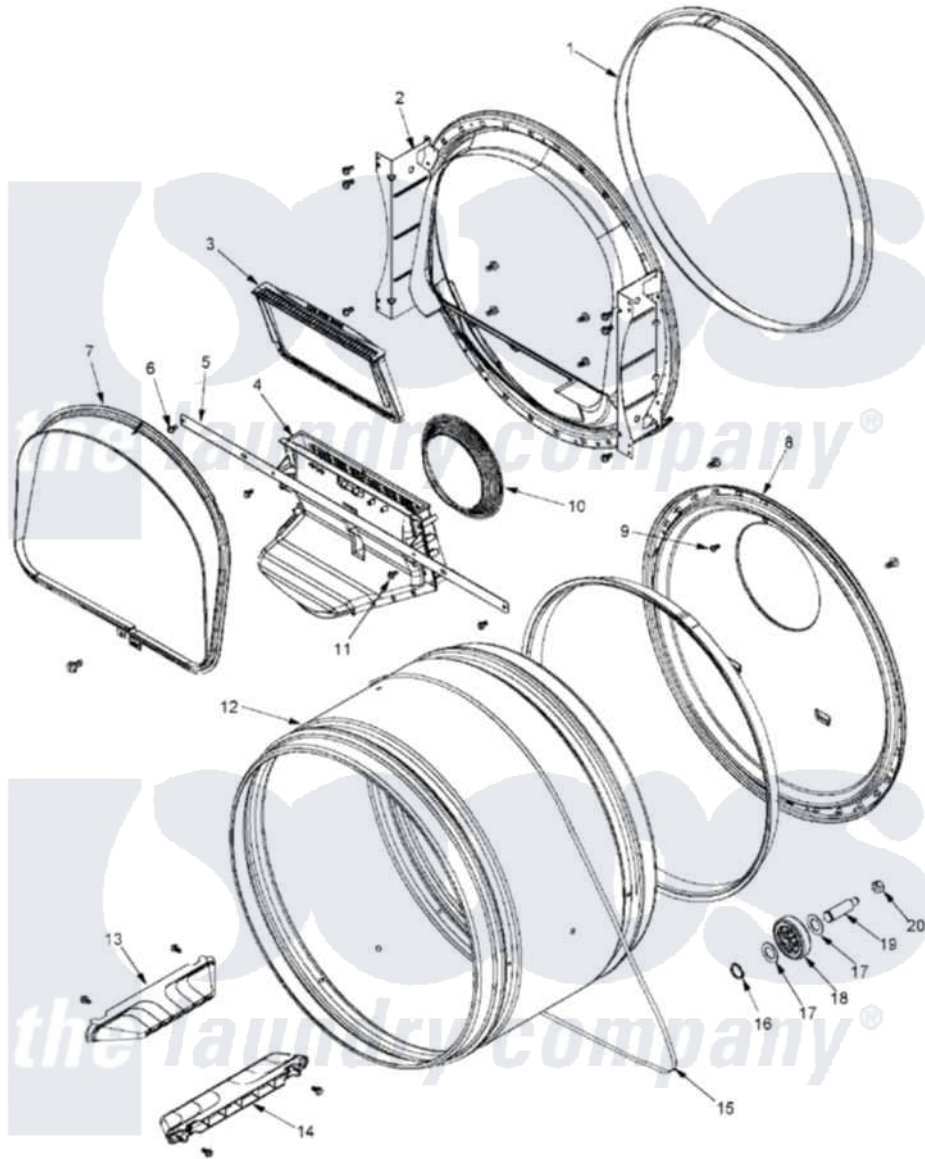


Maytag MLG23PDHWW 06 - TUMBLER



Maytag [Commercial Maytag MLG23PDHWW Dryer Parts](#) Parts Diagram 06 - TUMBLER
 Click on the part number to view part

| Item | Original Part Number | Replaced By | Status | Part Description |
|------|--------------------------|--------------------------|--------|---|
| 001 | 33001807 | | | Seal, Tumbler |
| 002 | 22001995 | | | Screw Note: Screw, Tumbler Front And Shroud |
| " | 33001802 | | | Front, Tumbler |
| 003 | 33001804 | 33002790 | | Lint Filter |
| 004 | 22001995 | | | Screw Note: Screw, Tumbler Front And Shroud |
| " | 33001799 | | | Outlet Duct Assembly Note: Outlet Duct Assembly |
| 005 | 33002039 | | | Brace, Tumbler Front |
| 006 | 22001995 | | | Screw Note: Screw, Tumbler Front And Shroud |
| 007 | 22001995 | | | Screw Note: Screw, Tumbler Front And Shroud |
| " | 33002026 | | | Extension, Tumbler Front |
| 008 | 22001995 | | | Screw Note: Screw, Tumbler Front And Shroud |
| " | 33002779 | | | Tumbler Back And Seal As-Pack |

| | | | |
|-----|--------------------------|---------------------------|---|
| " | 33003037 | | Tumbler Back And Seal |
| 009 | NLA | Not Available | SCREW---NA |
| 010 | 33002560 | | Seal, Blower |
| 011 | 33001768 | | Screw, Shroud Note: Screw, Shroud And Outlet Duct |
| 012 | 33001794 | 33001889 | Tumbler |
| 013 | 33001756 | 33002032 | Baffle |
| " | 33001788 | 33002973 | Screw, No.9-15 X 1.00 Hx WS |
| 014 | 33001755 | | Baffle |
| " | 33001788 | 33002973 | Screw, No.9-15 X 1.00 Hx WS |
| 015 | 33002535 | | V-Belt |
| 016 | 410233 | 9703438 | Ring-Retrn |
| 017 | 312535 | | Washer, Vault Mounting Brk. |
| 018 | Y303373 | 12001541 | Drum Roller/Washer Assembly--W |
| 019 | Y312948 | 6-3129480 | Shaft- Tumbler |
| 020 | 33001443 | | Nut, Hex |

