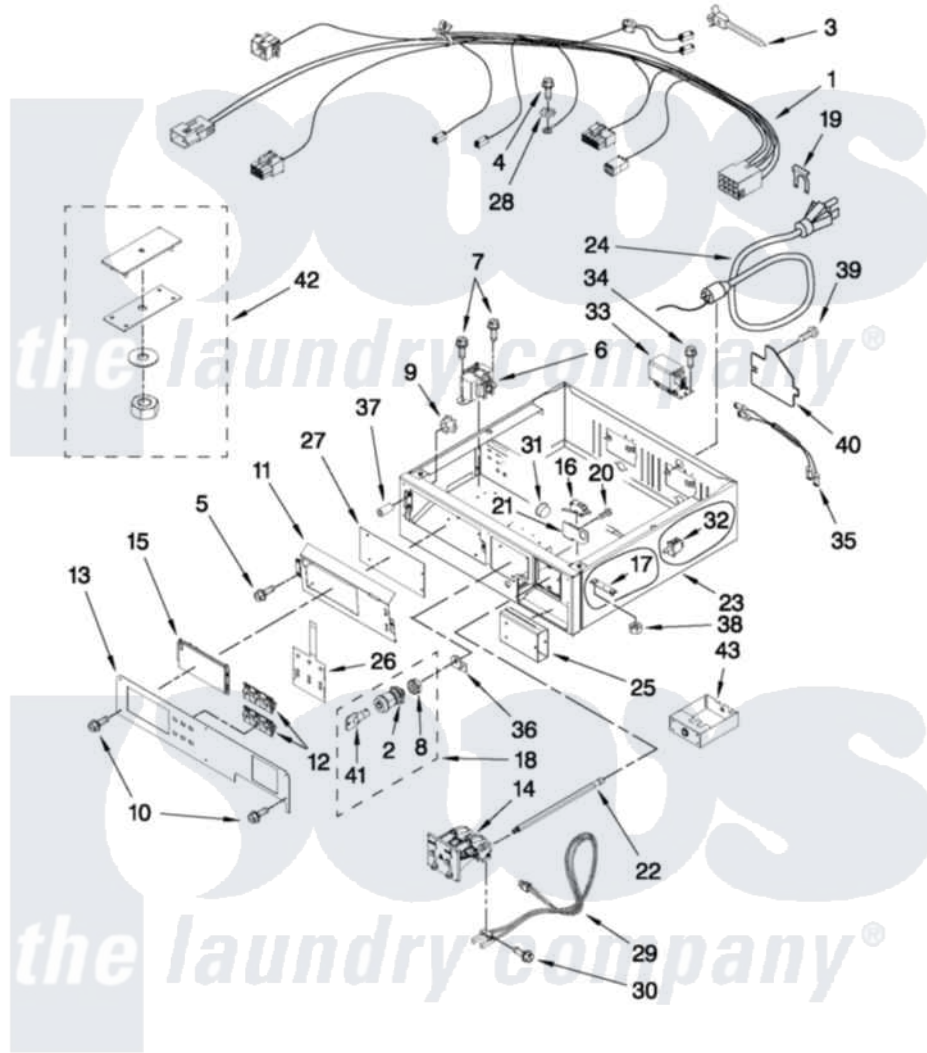


Maytag MLG24PDAXW1 02 - CONTROL PANEL AND SEPARATOR PARTS

CONTROL PANEL AND SEPARATOR PARTS

For Model: MLG24PDAXW1
(White)



FOR ORDERING INFORMATION REFER TO PARTS PRICE LIST

W10184603

4

Maytag [Commercial Maytag MLG24PDAXW1 Dryer Parts](#) Parts Diagram 02 - CONTROL PANEL AND SEPARATOR PARTS

[Click on the part number to view part](#)

| Item | Original Part Number | Replaced By | Status | Part Description |
|------|---------------------------|-------------------------|--------|---|
| 1 | W10167621 | | | Harness, Collar |
| 2 | W10139762 | | | Hex Nut, 3/4-27 |
| 3 | 3391018 | | | Tie Cable |
| 4 | 697776 | 4331106 | | Screw, No.10-32 X 7/16 |
| 5 | W10140652 | | | Screw, 6-20 X 1/2 |
| 6 | W10133285 | | | Transformer 120V To 22.5vac |
| 7 | 8533971 | 90767 | | Screw, 8A X 3/8 HeX Washer Head Tapping |
| 8 | W10177242 | | | Hex-Nut 9/32 - 28 |
| 9 | W10139046 | | | Nut 6-32 |
| 10 | W10131119 | | | Screw, 8-18 X 5/16 |
| 11 | W10163677 | | | Plate, Control Mounting |
| 12 | W10131113 | | | Push Button |
| 13 | W10135185 | | | Facia Console |
| 14 | W10133245 | | | Dual Coin Drop Assembly |
| 15 | W10133268 | | | Cover, Display |

| | | | |
|----|---------------------------|---------------------------|---|
| 16 | W10133280 | | Service Access, Switch |
| 17 | W10159907 | | Mounting Strap, Weld Assembly |
| 18 | W10133264 | | Lock Assembly, Service Door |
| 19 | 694415 | | Clip, Strain Relief |
| 20 | 3400408 | | Screw, 4-40 X 5/8 |
| 21 | W10160652 | | Bracket-Switch |
| 22 | W10137319 | | Hex-Bar Bolt |
| 23 | W10159849 | | Collar |
| 24 | 694018 | W10239314 | Cord, Power |
| 25 | W10133258 | | Vault-Body Assembly |
| 26 | W10133277 | | Membrane Switch Assembly |
| 27 | W10130700 | | Control Board |
| 28 | 3390443 | | Retainer, Terminal |
| 29 | W10130178 | W10247389 | Sensor |
| 30 | W10142655 | | Screw, 6-20 X 1.00 |
| 31 | W10165297 | | Snap Bushing |
| 32 | W10131838 | | Switch, Vault And Service Door |
| 33 | 8540229 | W10339736 | Filter, Interference |
| 34 | 8533971 | 90767 | Screw, 8A X 3/8 HeX Washer Head Tapping |
| 35 | W10188051 | | Jumper, Line Filter |
| 36 | W10133266 | | Cam-Lock |
| 37 | W10133514 | | Spacer |
| 38 | W10080190 | | Nut, 3/8-16 |
| 39 | 3400000 | | Screw, 10-24 X 3/8 |
| 40 | 3396795 | | Cover, Terminal Block |
| 41 | W10140858 | | Key |
| 42 | W10169579 | | Kit-Coin Box, Security |
| 43 | W10133248 | | Coin Box |

