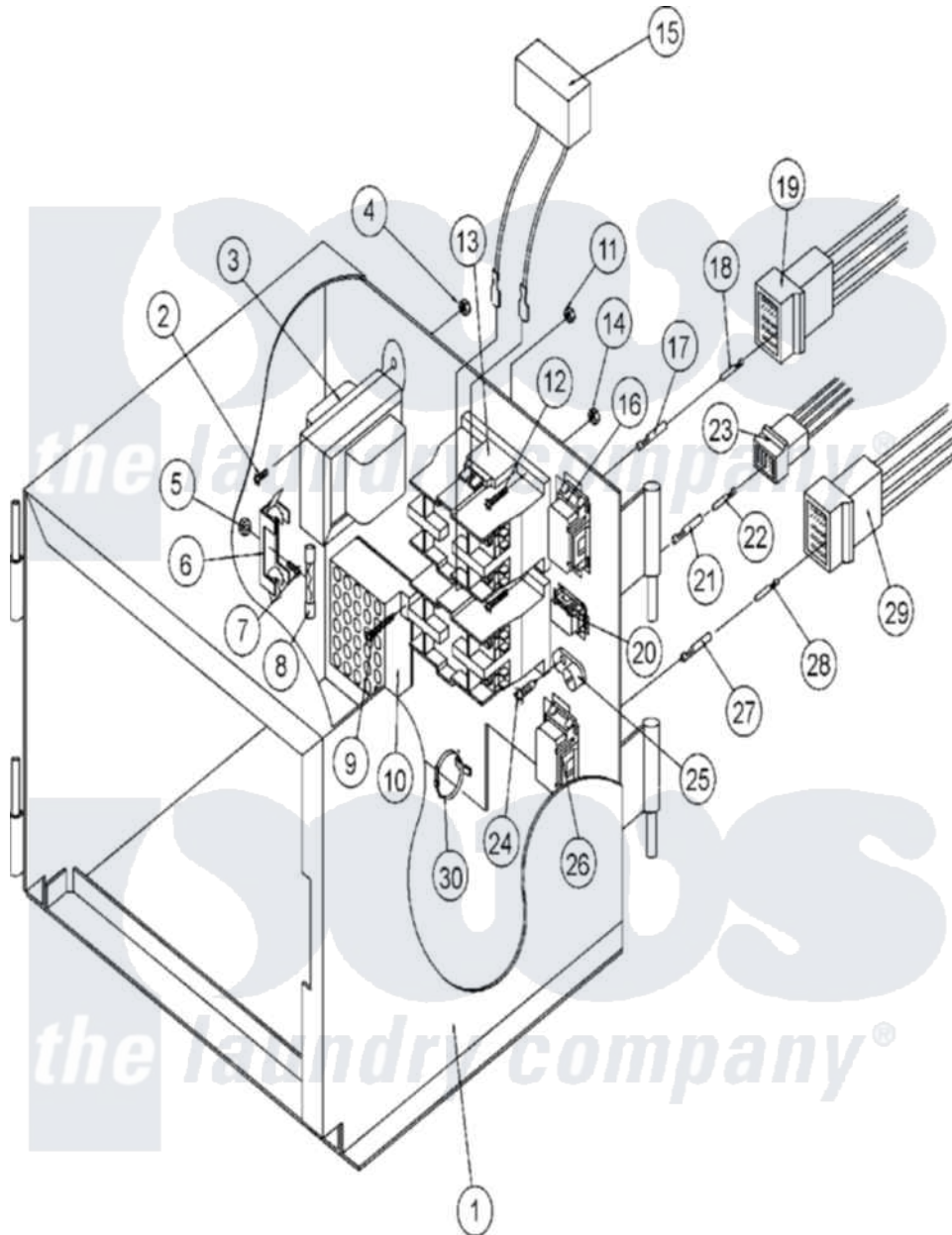


# Maytag MLG31PCAWS 06 - DMC CONTROL BOX ASSEMBLY



Maytag [Commercial Maytag MLG31PCAWS Dryer Parts](#) Parts Diagram 06 - DMC CONTROL BOX ASSEMBLY  
 Click on the part number to view part

Item	Original Part Number	Replaced By	Status	Part Description
001	A824439	<a href="#">824439</a>		320 330 EI
002	A150103	<a href="#">150103</a>		8-32 X 3 4
003	A141403		Not Available	TRANSFORMER (24 VAC) (FOR MICROPROCESSOR MODELS)
004	A151001	<a href="#">W10146764</a>		8-32 Pal N
005	A151000	<a href="#">WH12X195</a>		Switch Assembly
006	A136008	<a href="#">136008</a>		Fuse Block
007	A150002	<a href="#">150002</a>		6-32 X 1
008	A136057	<a href="#">W10146739</a>		0.5 A 250
009	A150002	<a href="#">150002</a>		6-32 X 1
010	A120715	<a href="#">W10146700</a>		30 Pos Ter
011	A151000	<a href="#">WH12X195</a>		Switch Assembly
012	A150103	<a href="#">150103</a>		8-32 X 3 4
013	<a href="#">A132451</a>			CONTACTOR, TWO POLE
014	A151001	<a href="#">W10146764</a>		8-32 Pal N
015	A824828	<a href="#">W10147397</a>		RC Network

016	A122626	<a href="#">122626</a>	15P Umnl C
017	A122705	<a href="#">122705</a>	Umnl Sok 2
018	A122704	<a href="#">122704</a>	Umnl Pin 2
019	A122625	<a href="#">122625</a>	15 Pin Umn
"	A137025	<a href="#">137025</a>	6-15 Positive
020	A122631	<a href="#">122631</a>	06P Umnl C
021	A122705	<a href="#">122705</a>	Umnl Sok 2
022	A122704	<a href="#">122704</a>	Umnl Pin 2
023	A122630	<a href="#">122630</a>	06P Umnl P
"	A137025	<a href="#">137025</a>	6-15 Positive
024	A150309	<a href="#">W10146761</a>	10-16 X 1
025	A121010	<a href="#">121010</a>	14-4 Termi
026	A122626	<a href="#">122626</a>	15P Umnl C
027	A122705	<a href="#">122705</a>	Umnl Sok 2
028	A122704	<a href="#">122704</a>	Umnl Pin 2
029	A122625	<a href="#">122625</a>	15 Pin Umn
"	A137025	<a href="#">137025</a>	6-15 Positive
030	A121494	<a href="#">121494</a>	Tie, Wire
"	A122800	<a href="#">122800</a>	M R EXTRAC
"	A122801	<a href="#">W10146716</a>	Mate-N-Loc

