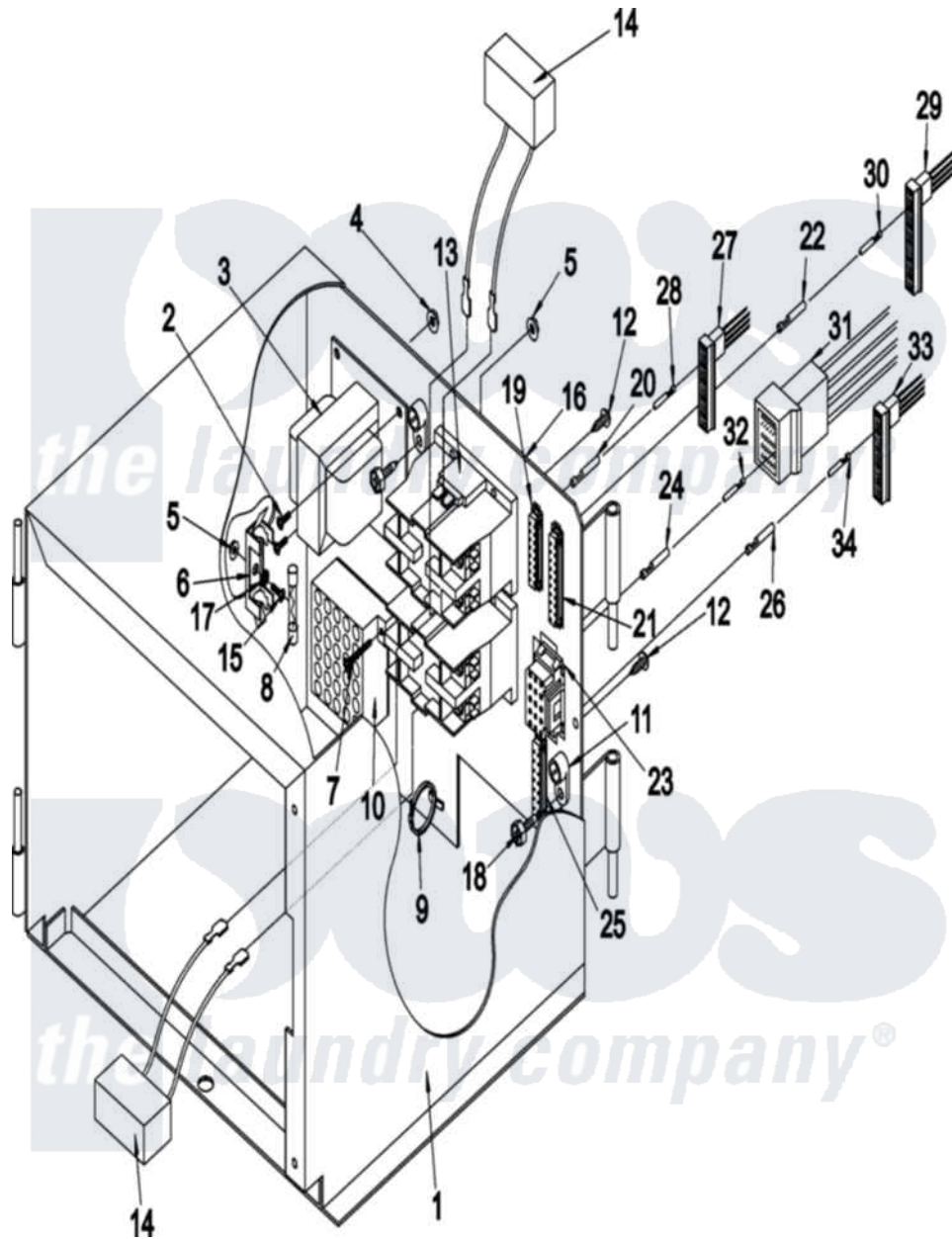


# Maytag MLG31PCBWW 05 - DMC CONTROL BOX ASSEMBLY



Maytag [Commercial Maytag MLG31PCBWW Dryer Parts](#) Parts Diagram 05 - DMC CONTROL BOX ASSEMBLY

[Click on the part number to view part](#)

Item	Original Part Number	Replaced By	Status	Part Description
001	A850911	<a href="#">850911</a>		330 Electr
"	A852326	<a href="#">852326</a>		ADG-330 PH
002	A150108	<a href="#">150108</a>		8-32 X 1 2
003	A852333	<a href="#">852333</a>		ADG-330 PH
004	A151001	<a href="#">W10146764</a>		8-32 Pal N
005	A151000	<a href="#">WH12X195</a>		Switch Assembly
006	A136008	<a href="#">136008</a>		Fuse Block
007	A150002	<a href="#">150002</a>		6-32 X 1
008	A136049	<a href="#">136049</a>		0.75A 25
"	A136057	<a href="#">W10146739</a>		0.5 A 250
009	A121494	<a href="#">121494</a>		Tie, Wire
010	A120715	<a href="#">W10146700</a>		30 Pos Ter
011	A121010	<a href="#">121010</a>		14-4 Termi
012	A150309	<a href="#">W10146761</a>		10-16 X 1
013	A132475	<a href="#">W10146737</a>		SQ D Dp 24
014	A824828	<a href="#">W10147397</a>		RC Network

015	A150001	<a href="#">150001</a>	6-32 X 1 2
016	<a href="#">A315023</a>		E-Box Back
017	A153010	<a href="#">153010</a>	6 Internal
018	A120910	<a href="#">120910</a>	10-32 x 3 8
019	A122689	<a href="#">122689</a>	16 Ckt Min
020	A182363	<a href="#">182363</a>	18-24 AWG
021	A122687	<a href="#">122687</a>	20 Ckt Min
022	A182363	<a href="#">182363</a>	18-24 AWG
023	A122626	<a href="#">122626</a>	15P Umnl C
024	A122705	<a href="#">122705</a>	Umnl Sok 2
025	A122685	<a href="#">122685</a>	14 Ckt Min
026	A182363	<a href="#">182363</a>	18-24 AWG
027	A122667	<a href="#">W10149171</a>	Mini-Fit R
028	A122669	<a href="#">122669</a>	5556 Femal
029	A122668	<a href="#">W10149170</a>	Mini-Fit R
030	A122669	<a href="#">122669</a>	5556 Femal
031	A122625	<a href="#">122625</a>	15 Pin Umn
032	A122704	<a href="#">122704</a>	Umnl Pin 2
033	A122686	<a href="#">122686</a>	14 Ckt Min
034	A122669	<a href="#">122669</a>	5556 Femal
035	A122672	<a href="#">122672</a>	Extraction

