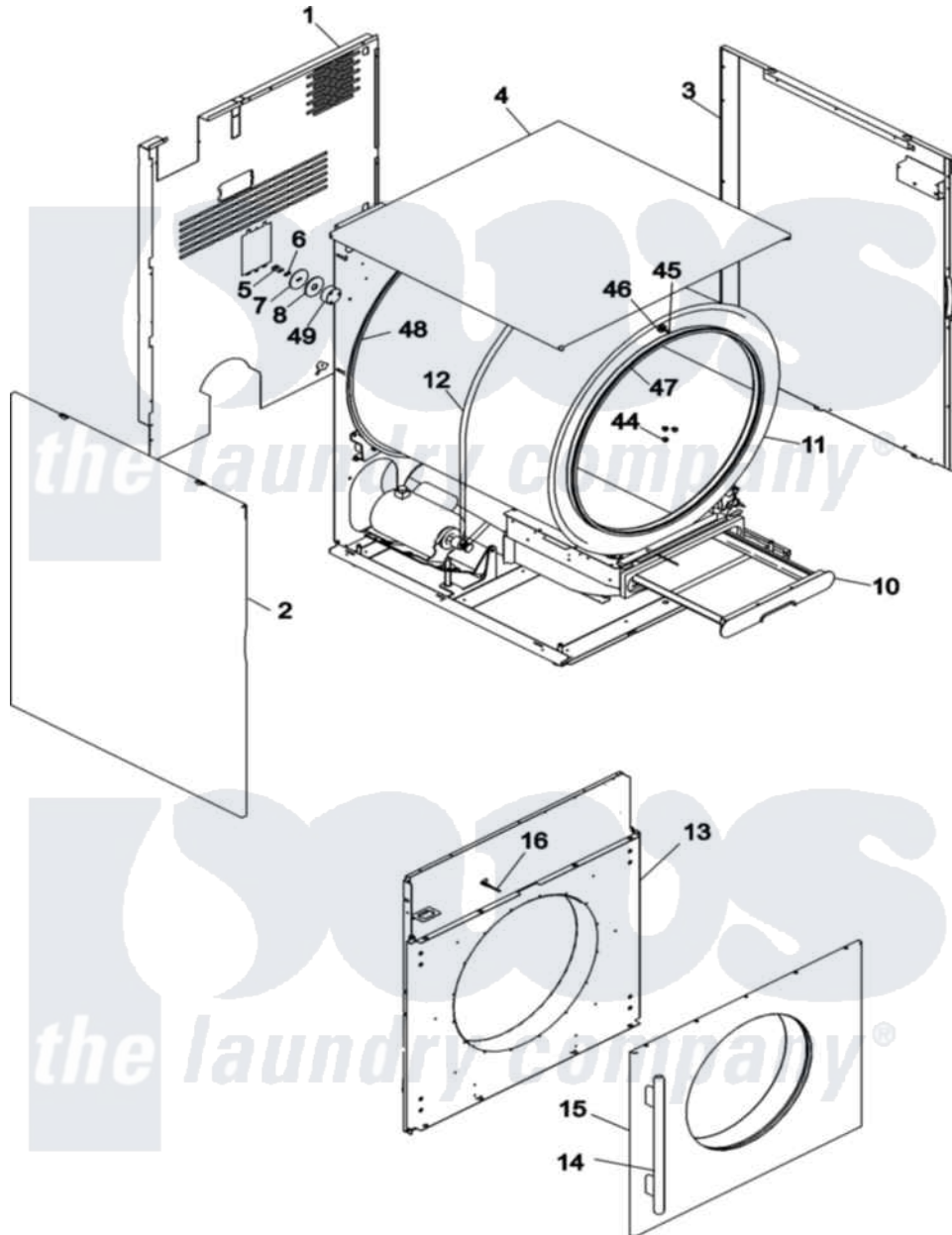


# Maytag MLG33PDAWS 01 - CABINET



Maytag [Commercial Maytag MLG33PDAWS Dryer Parts](#) Parts Diagram 01 - CABINET  
 Click on the part number to view part

Item	Original Part Number	Replaced By	Status	Part Description
001	A818683	<a href="#">818683</a>		SI-3131 BA
"	A818925	<a href="#">818925</a>		SL3131 Bac
002	A818679	<a href="#">818679</a>		SI-3131 LE
"	A819619	<a href="#">819619</a>		SL3131 Lef
003	A818678	<a href="#">818678</a>		SI-3131 Ri
"	A819621	<a href="#">819621</a>		SL3131 Rig
004	A818690	<a href="#">W10147206</a>		SL3131 Out
005	A150445	<a href="#">150445</a>		1 4-20 X 3
006	A153072	<a href="#">153072</a>		Spring Was
007	A318891	<a href="#">318891</a>		SI PI-20 B
008	A153048	<a href="#">153048</a>		Inner Fric
010	A819288		Not Available	LINT SCREEN ASY
"	A819315	<a href="#">W10147313</a>		SL31 Lint
011	A818815	<a href="#">W10147216</a>		SL31-3131
"	A819398	<a href="#">W10147348</a>		SL31-3131
012	A102407	<a href="#">102407</a>		Autotension

013	A102004	<a href="#">102004</a>	.750 Rnd
"	A102005	<a href="#">102005</a>	Compact Do
"	A152224	<a href="#">152224</a>	10-32 x 1 2
"	A400563	<a href="#">400563</a>	Spanner Bi
"	A819132	<a href="#">W10147254</a>	SI-3131 FR
014	<a href="#">102396</a>		Door Gasket
"	103067	<a href="#">8182856</a>	Hinge, Door
"	<a href="#">Y819302</a>		Door Assembly RH Hinge
"	A819303	<a href="#">W10147305</a>	SL31-3131
015	185182	<a href="#">W10146778</a>	SI Tubular
"	185183	Not Available	HANDLE
016	A819194	<a href="#">W10147270</a>	SL3131 PH8
044	A150123	<a href="#">150123</a>	1 4-20 x 1 4
045	A154217	<a href="#">154217</a>	1 8 Diameter X.
046	A102004	<a href="#">102004</a>	.750 Rnd
047	A115906	<a href="#">115906</a>	Cg-20 Tumbler
048	A115910	<a href="#">280183</a>	Seal
"	A401010	<a href="#">401010</a>	3M 847 CO
049	A318784	<a href="#">318784</a>	PI-20 Soli

