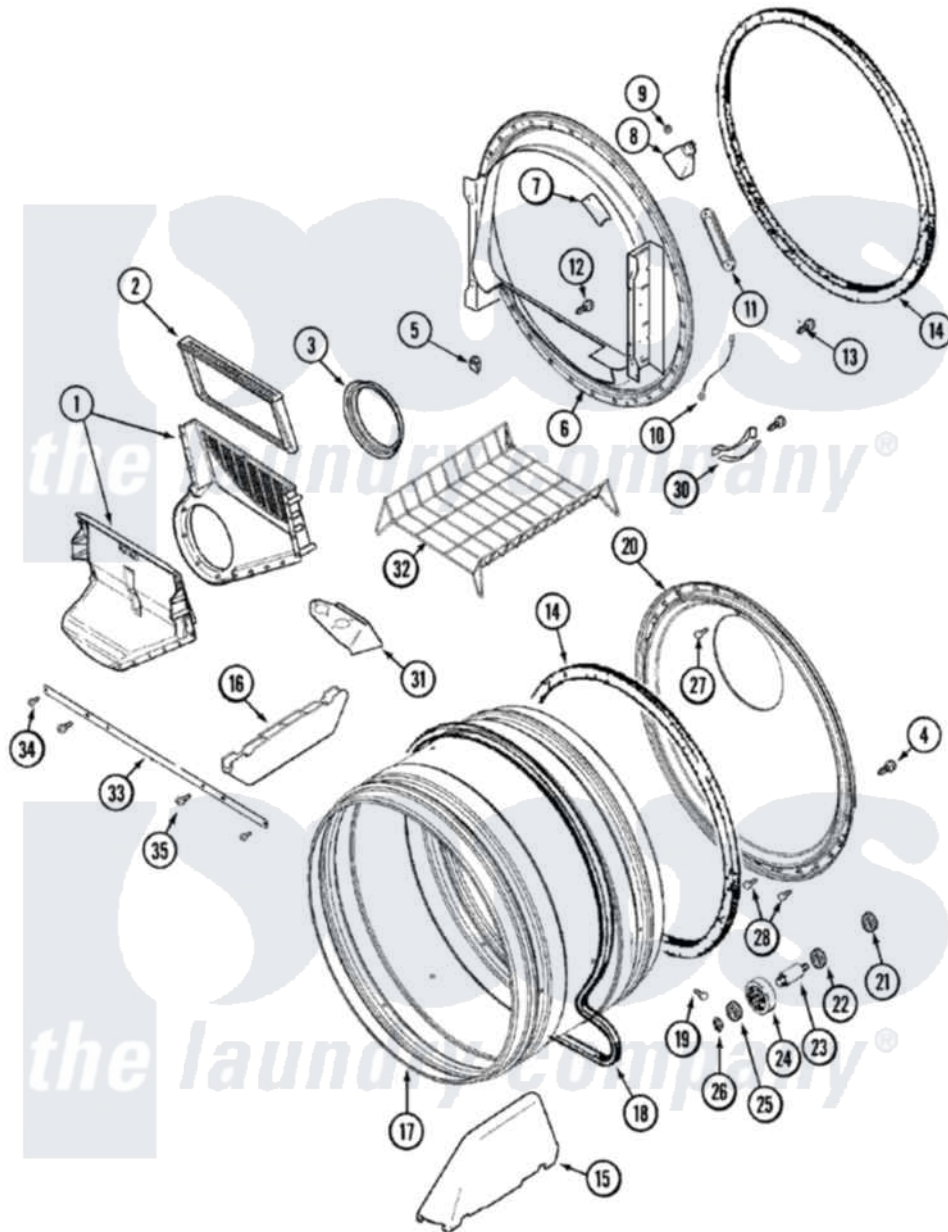


Maytag MUE2000AYM 17 - TUMBLER



Maytag [Commercial Maytag MUE2000AYM Stacked Washer and Dryer Parts](#) Parts Diagram 17 - TUMBLER
 Click on the part number to view part

Item	Original Part Number	Replaced By	Status	Part Description
1	33002228		Not Available	LABEL, POWER CORD WARNING
"	33001799			Outlet Duct Assembly Note: Outlet Duct Assembly
2	33001808			Filter, Lint
3	33001758	33002560		Seal, Blower
4	33002190			SCrew, C BraCe, BraCket, Cabinet
5	Y310376			Clip, Door Switch Harness
6	33001868			Front, Tumbler Front W/Sensor Note: Front, Tumbler
7	33001869			Lens, Drum Light
"	33001871			Screw Note: Screw, Drum Light
8	33001870		Not Available	HOLDER, LAMP (W/HOUSING) NOTE: LAMP (W/HOUSING & HOLDER)
"	22002263			Lamp
9	214872			Palnut, End Cap Note: Nut,

9	214072		Lamp Holder
10	Y303711		Sensor Ground Wire
"	211294	90767	Screw, 8A X 3/8 HeX Washer Head Tapping
11	33001809		Sensor Bar Assembly
"	22001078	3177991	Screw
12	312311	312311MAY	Screw
13	33001855	33002917	Screw, No.10-16
14	33001807		Seal, Tumbler
15	33001756	33002032	Baffle
16	33001755		Baffle
17	33001889		Tumbler
18	33001777	33002535	V-Belt
19	33001788	33002973	Screw, No.9-15 X 1.00 Hx WS
20	33001801		Back, Tumbler
21	33001443		Nut, Hex
22	Y313347	312535	Washer, Vault Mounting Brk.
23	Y312948	6-3129480	Shaft- Tumbler
24	Y303373	12001541	Drum Roller/Washer Assembly--W
25	312535		Washer, Vault Mounting Brk.
26	410233	9703438	Ring-Retrn
27	210932		Screw, No.8 X 9/16 Ctsk Note: Screw, Inlet Duct
28	22001996	3370225	Screw
29	210720		Rivet, Bearing To Tumbler Fmt
30	306508		Tumbler Bearing Kit ----W
32	33001917	33001917A	Rack- Dryi
33	33002039		Brace, Tumbler Front
34	22001995		Screw Note: Screw, Tumbler Front And Shroud
35	33001768		Screw, Shroud Note: Screw, Shroud And Outlet Duct

