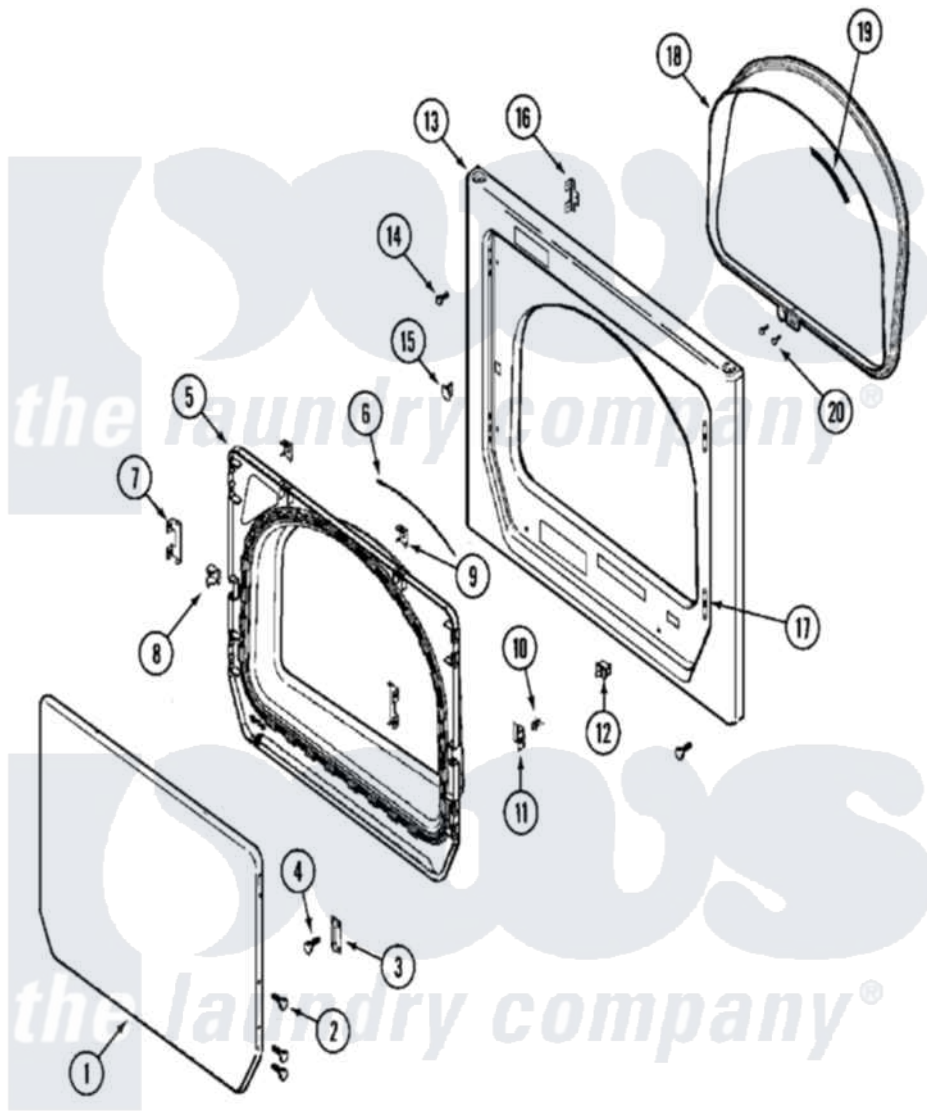


Maytag MUG15MNAWW 03 - DOOR (UPPER)



Maytag [Commercial Maytag MUG15MNAWW Dryer Parts](#) Parts Diagram 03 - DOOR (UPPER)
 Click on the part number to view part

| Item | Original Part Number | Replaced By | Status | Part Description |
|------|--------------------------|---------------------------|---------------|----------------------------|
| 001 | 33002079 | 33002128 | | Panel- Out |
| 002 | 22002063 | | | Screw No.8-18AB Wafer Head |
| 003 | 33002017 | | | Hinge, Door |
| 004 | 22002062 | 98006631 | | Screw |
| 005 | 33002020 | | | Door, Inner W/Seal |
| 006 | 33002094 | | | Seal, Door |
| 007 | 22002038 | | | Clip, Door |
| 008 | 33001763 | | | Plug, Inner Door |
| 009 | 22002039 | | | Clip, Door |
| 010 | 33001761 | | | Strike, Door |
| 011 | 33001793 | | | Bracket, Strike |
| 012 | 33001509 | W10169313 | | Switch-Dor |
| 013 | 33001711 | 33002936 | | Medallion- |
| " | 33002051 | | Not Available | SCREW, FRONT PANEL |
| " | 33002081 | | | Panel, Front |
| 014 | 33001486 | 98008544 | | Screw |

| | | | |
|-----|--------------------------|--------------------------|--------------------------|
| 015 | 33001791 | 306436 | Door Latch Kit--W |
| 016 | 33002025 | | Twin Speednut |
| 017 | 33001175 | | Cover, Hinge Hole |
| 018 | 33002026 | | Extension, Tumbler Front |
| 019 | 33001767 | | Seal, Shroud |
| 020 | 33001855 | 33002917 | Screw, No.10-16 |

