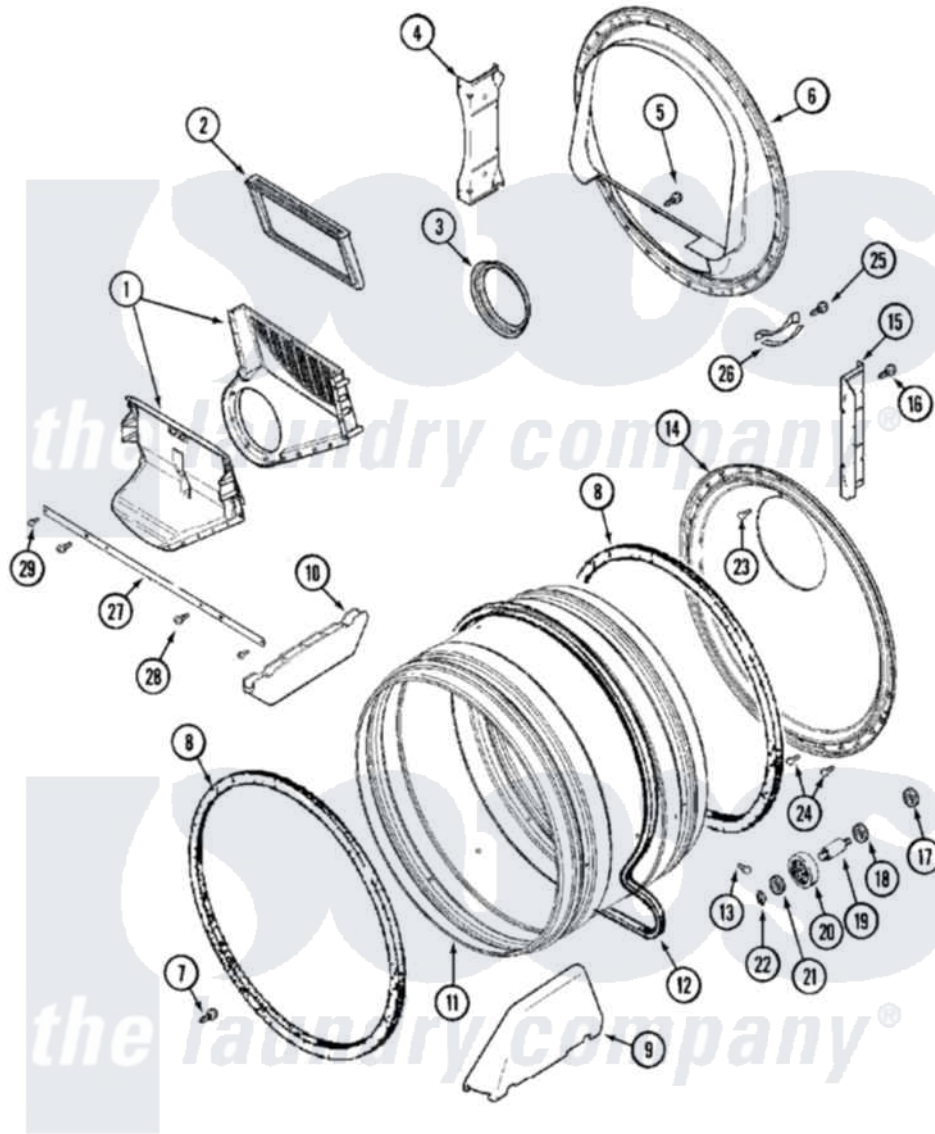


Maytag MUG15PDAXA 06 - TUMBLER



Maytag [Commercial Maytag MUG15PDAXA Dryer Parts](#) Parts Diagram 06 - TUMBLER
 Click on the part number to view part

| Item | Original Part Number | Replaced By | Status | Part Description |
|------|--------------------------|--------------------------|---------------|--|
| 001 | 33001799 | | | Outlet Duct Assembly Note: Outlet Duct Assembly |
| 002 | 33001804 | 33002790 | | Lint Filter |
| 003 | 33001758 | 33002560 | | Seal, Blower |
| 004 | NLA | | Not Available | SUPPORT, TUMBLER FRONT |
| 005 | NLA | | Not Available | SCREW, OUTLET DUCT |
| 006 | 33001802 | | | Front, Tumbler |
| 007 | 33001855 | 33002917 | | Screw, No.10-16 |
| 008 | 33001807 | | | Seal, Tumbler |
| 009 | 33002032 | | | Baffle |
| 010 | 33001755 | | | Baffle |
| 011 | 33001794 | 33001889 | | Tumbler |
| 012 | 33001777 | 33002535 | | V-Belt |
| 013 | 33001788 | 33002973 | | Screw, No.9-15 X 1.00 Hx WS |
| 014 | 33001801 | | | Back, Tumbler |
| 015 | NLA | | Not Available | SUPPORT, BACK |

| | | | |
|-----|--------------------------|---------------------------|---|
| 016 | 22001995 | | Screw Note: Screw, Tumbler Front And Shroud |
| 017 | 33001443 | | Nut, Hex |
| 018 | Y313347 | 312535 | Washer, Vault Mounting Brk. |
| 019 | Y312948 | 6-3129480 | Shaft- Tumbler |
| 020 | Y303373 | 12001541 | Drum Roller/Washer Assembly--W |
| 021 | 312535 | | Washer, Vault Mounting Brk. |
| 022 | 410233 | 9703438 | Ring-Retrn |
| 023 | 210932 | | Screw, No.8 X 9/16 Ctsk Note: Screw, Inlet Duct |
| 024 | 22001996 | 3370225 | Screw |
| 025 | 210720 | | Rivet, Bearing To Tumbler Fmt |
| 026 | 306508 | | Tumbler Bearing Kit ---W |
| 027 | 33002039 | | Brace, Tumbler Front |
| 028 | 33001768 | | Screw, Shroud Note: Screw, Shroud And Outlet Duct |
| 029 | 22001995 | | Screw Note: Screw, Tumbler Front And Shroud |

