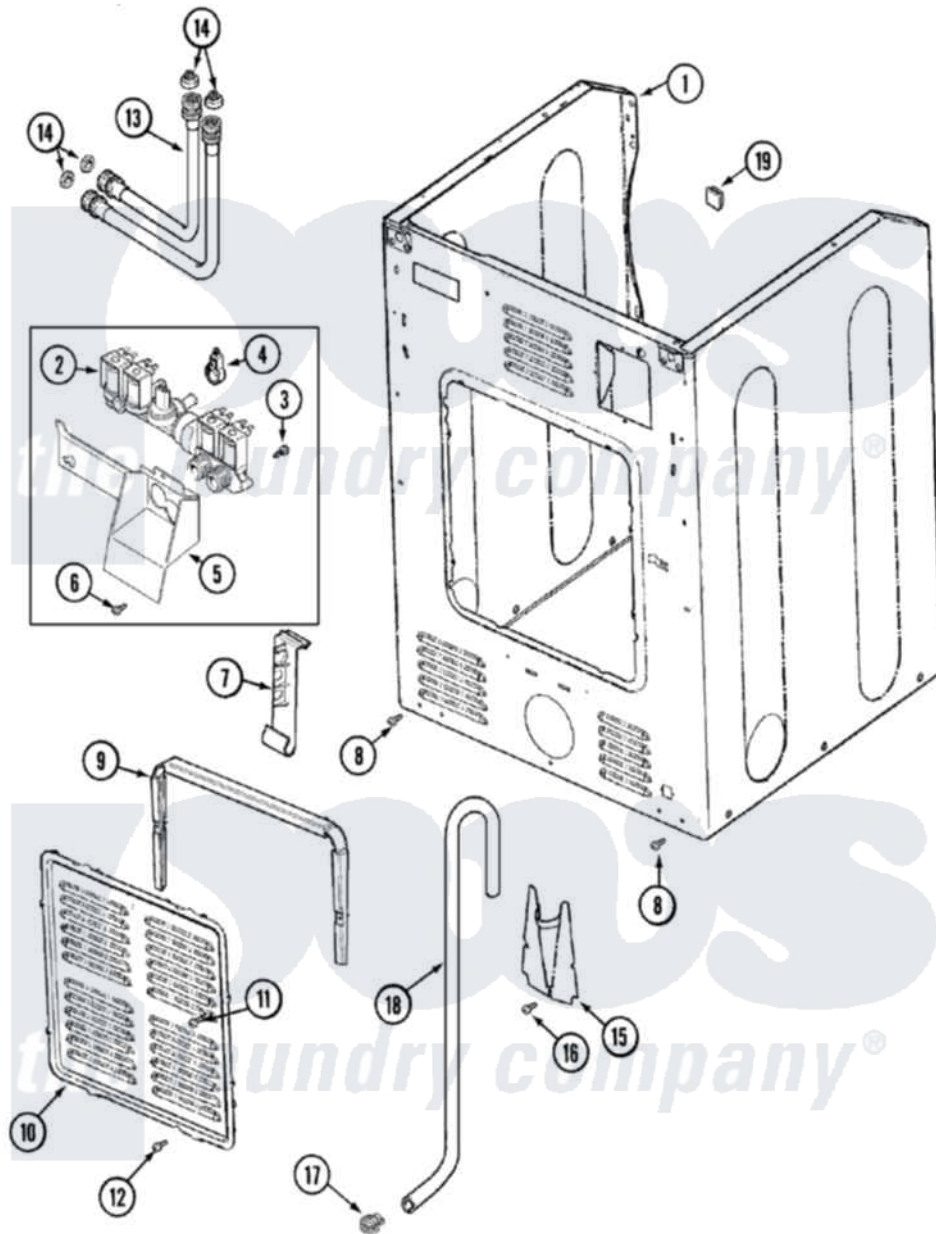


Maytag MUG2000AWW 05 - CABINET-REAR (WASHER)



Maytag Commercial Maytag MUG2000AWW Stacked Washer and Dryer Parts Parts Diagram 05 - CABINET-REAR (WASHER)

Click on the part number to view part

| Item | Original Part Number | Replaced By | Status | Part Description |
|------|--------------------------|--------------------------|---------------|---|
| 1 | 22002245 | 22003639 | | Cabinet Assembly |
| " | 22003582 | | Not Available | CABINET, ASSY. (WHT-AS PK) |
| " | 22003367 | 22004095 | | Hinge, Plastic |
| " | 22001995 | | | Screw Note: Screw, Tumbler Front And Shroud |
| " | 22002548 | 22003639 | | Cabinet Assembly |
| 2 | 22002437 | | | Valve, Water |
| 3 | 22002436 | | | Screw, Water Valve Bracket |
| 4 | 205161 | 489503 | | Clamp |
| 5 | 33002212 | | | Bracket, Water Valve |
| 6 | 22001996 | 3370225 | | Screw |
| 7 | 33002213 | | | Rack, Hose |
| 8 | 22001995 | | | Screw Note: Screw, Tumbler Front And Shroud |
| 9 | 22002022 | | | Spacer, Access Panel |
| 10 | 22002092 | | | Panel, Access |

| | | | |
|----|--------------------------|--------------------------|---|
| 11 | 22002295 | 67006908 | Screw, Ice Rack |
| 12 | 22001996 | 3370225 | Screw |
| 13 | 33002214 | 202860 | Inlet Hose Assembly |
| 14 | Y013783 | | Washer, Inlet Hose |
| " | 22002960 | | Strainer, Washer Inlet |
| 15 | 22002093 | 22002704 | Cover, Drain Hose |
| 16 | 22001995 | | Screw Note: Screw, Tumbler Front And Shroud |
| 17 | 22001984 | 285655 | Clamp, Hose |
| 18 | 22002085 | 12001807 | Drain Hose Kit |
| " | 22002891 | 12001807 | Drain Hose Kit |
| " | 22002892 | | Retainer, Drain Hose |
| " | 22002893 | 8539404 | Tie-Wire |
| " | 12001659 | 12001807 | Drain Hose Kit |
| 19 | 215950 | | (UPPER CABINET) |

