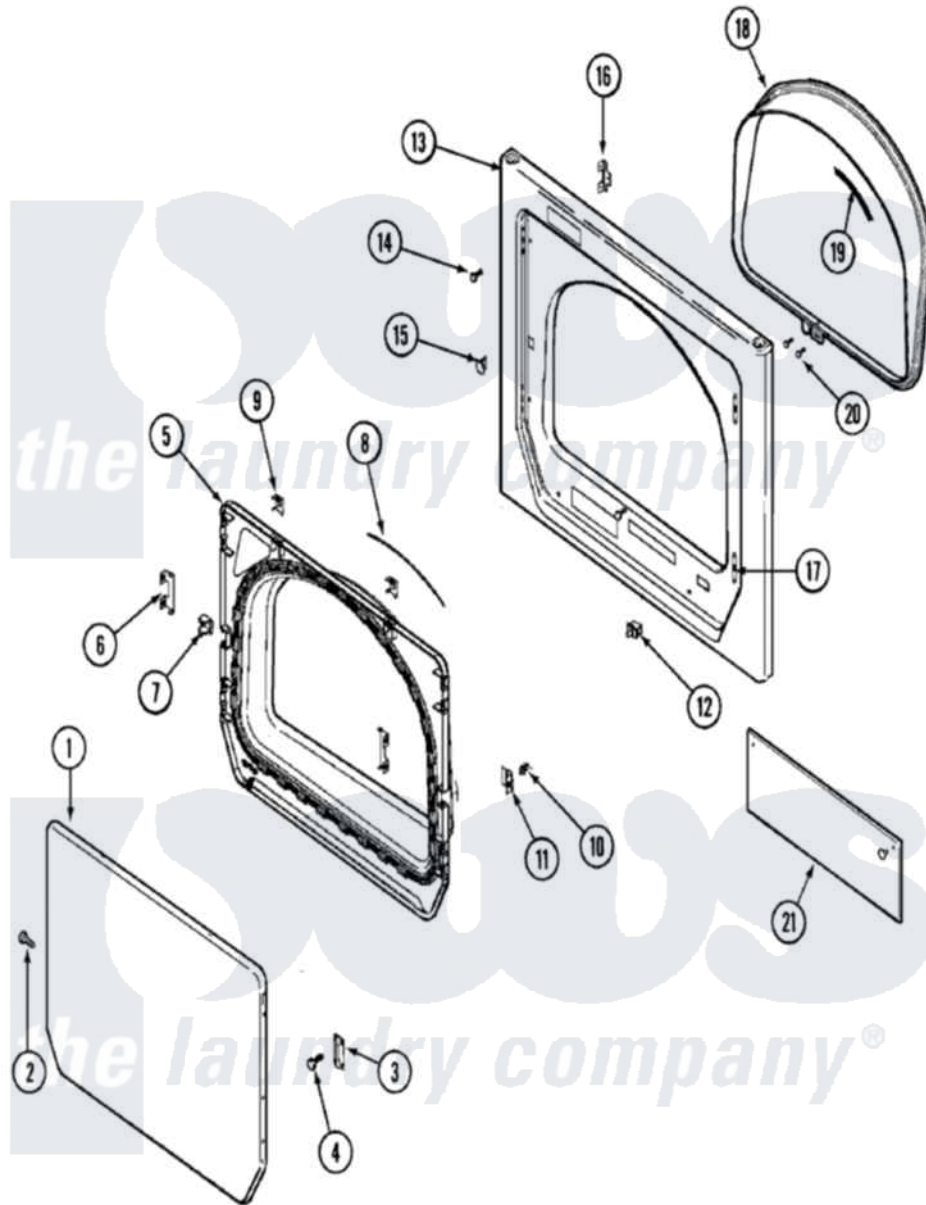


# Maytag MUG2000AWW 09 - DOOR (DRYER)



Maytag Commercial Maytag MUG2000AWW Stacked Washer and Dryer Parts Parts Diagram 09 - DOOR (DRYER)  
 Click on the part number to view part

Item	Original Part Number	Replaced By	Status	Part Description
1	33002079	<a href="#">33002128</a>		Panel- Out
2	<a href="#">22002063</a>			Screw No.8-18AB Wafer Head
3	<a href="#">33002017</a>			Hinge, Door
4	22002062	<a href="#">98006631</a>		Screw
5	<a href="#">22002520</a>			Door, Inner
6	<a href="#">22002038</a>			Clip, Door
7	33002111	<a href="#">33001763</a>		Plug, Inner Door
8	<a href="#">33002094</a>			Seal, Door
9	<a href="#">22002039</a>			Clip, Door
10	<a href="#">33001761</a>			Strike, Door
11	33002110	<a href="#">33001793</a>		Bracket, Strike
12	33001508	<a href="#">W10169313</a>		Switch-Dor
13	33002051		Not Available	SCREW, FRONT PANEL
"	<a href="#">33002081</a>			Panel, Front
14	33001486	<a href="#">98008544</a>		Screw
15	33001791	<a href="#">306436</a>		Door Latch Kit--W

16	<a href="#">33002025</a>	Twin Speednut
17	<a href="#">33001175</a>	Cover, Hinge Hole
18	<a href="#">33002026</a>	Extension, Tumbler Front
19	<a href="#">33001767</a>	Seal, Shroud
20	33001855	<a href="#">33002917</a> Screw, No.10-16
21	<a href="#">22002521</a>	Shield, Control Panel
"	<a href="#">33002048</a>	Fastener, Push

