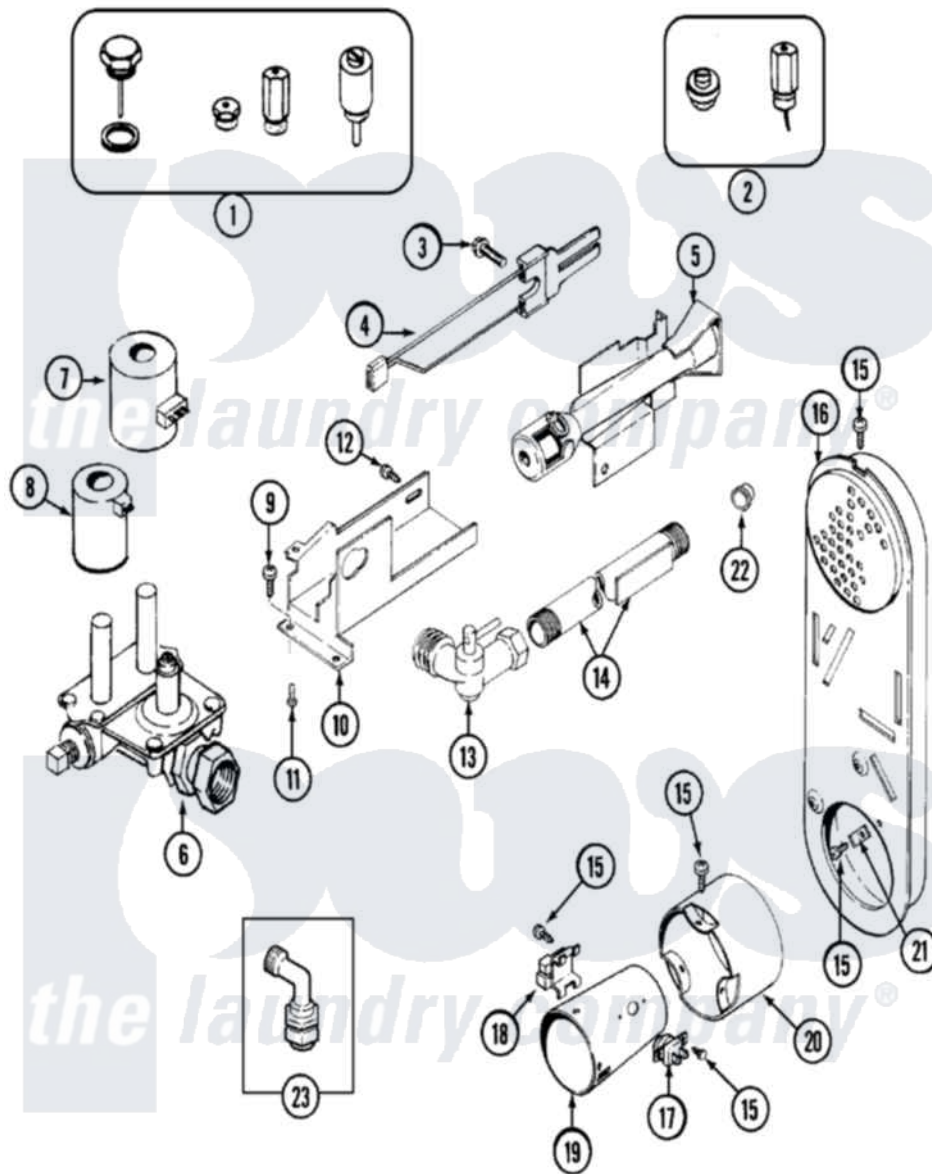


Maytag MUG2000AWW 11 - GAS VALVE (DRYER)



Maytag [Commercial Maytag MUG2000AWW Stacked Washer and Dryer Parts](#) Parts Diagram 11 - GAS VALVE (DRYER)

[Click on the part number to view part](#)

Item	Original Part Number	Replaced By	Status	Part Description
1	Y306195	MAL9000AXX		LP Gas Con
2	306204	33002924		Gas Conv K
3	304971			Screw Note: Screw, Igniter
4	304970	4391996		Ignitor
5	33001247	33002793		Burner Assembly
6	33002056		Not Available	PLUG, HOLE (UPR)
"	306176			Valve, Gas
7	306106			Coil, Holding And Booster--W
8	306105	694540		Coil, 60 Hz
9	Y313561			Screw---NA
10	33002055			Bracket, Gas Valve---NA
11	314082	90767		Screw, 8A X 3/8 HeX Washer Head Tapping
12	22001995			Screw Note: Screw, Tumbler Front And Shroud
13	306086			Angle Shut Off For Gas Valve

14	33002220		Pipe And Bracket Assembly
15	211294	90767	Screw, 8A X 3/8 HeX Washer Head Tapping
16	33001810	Not Available	DUCT ASSY., INLET (GAS) NOTE: INLET DUCT ASSEMBLY
17	303395		Thermostat, Hi-Limit
18	Y303377	338906	Radiant, Sensor
19	33001835		Cone Assembly, Combustion
20	Y303841		Cone, Extension
21	Y312890		Retainer, Heater Chamber
22	33001693		Cap, Gas Pipe
23	33002236		Angle Connector Assembly

the laundry company[®]

the laundry company[®]

the laundry company[®]