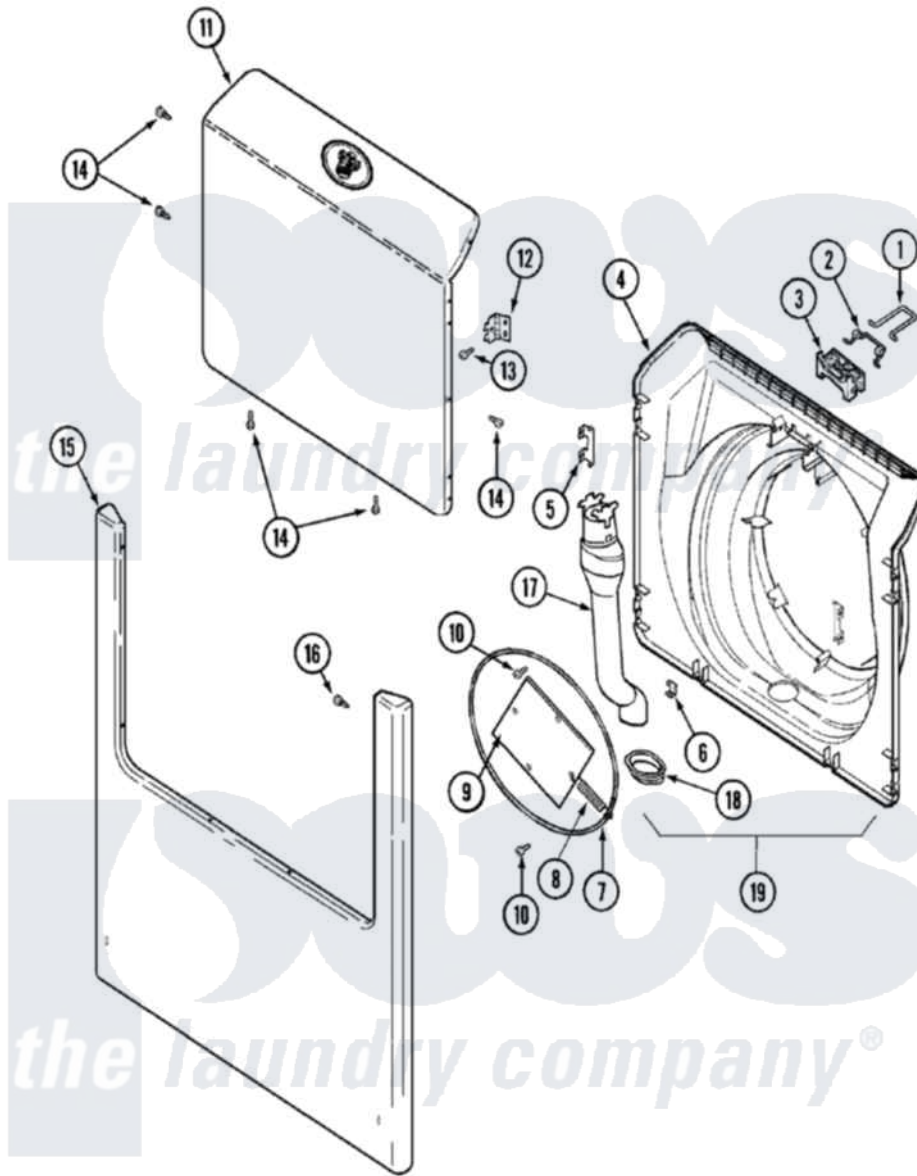


# Maytag MUG2000AXW 08 - DOOR & FRONT PANEL (WASHER)



Maytag [Commercial Maytag MUG2000AXW Stacked Washer and Dryer Parts](#) Parts Diagram 08 - DOOR & FRONT PANEL (WASHER)

[Click on the part number to view part](#)

Item	Original Part Number	Replaced By	Status	Part Description
1	22002002	<a href="#">22003222</a>		Hoop, Lock
2	<a href="#">22002003</a>			Spring, Latch
3	<a href="#">22002168</a>			Support, Lock Hoop
4	22003076	<a href="#">22003083</a>		Liner, Door Assembly W/Vent
"	22002539	<a href="#">22003083</a>		Liner, Door Assembly W/Vent
"	33002210	<a href="#">22003083</a>		Liner, Door Assembly W/Vent
5	<a href="#">22002038</a>			Clip, Door
6	<a href="#">22002039</a>			Clip, Door
7	<a href="#">22002104</a>			Frame, Wire
8	<a href="#">22002356</a>			Spring, Plate
9	<a href="#">22002094</a>			Frame, Wire
10	<a href="#">22002007</a>			Screw, Wire Frame
11	<a href="#">22002260</a>			Panel, Door
12	22002000	<a href="#">22002798</a>		Hinge, Door
13	22002062	<a href="#">98006631</a>		Screw
14	<a href="#">22002063</a>			Screw No.8-18AB Wafer Head

15	22002241	<a href="#">22002836</a>	Panel, Front
16	<a href="#">22002244</a>		Clip, Grounding
"	<a href="#">22002012</a>		Screw, Hinge Note: Screw, Hinge Bracket
17	22002990	<a href="#">22003850</a>	Vent Tube Assembly
18	<a href="#">22003075</a>		Grommet, Vent Tube
19	<a href="#">22003083</a>		Liner, Door Assembly W/Vent

