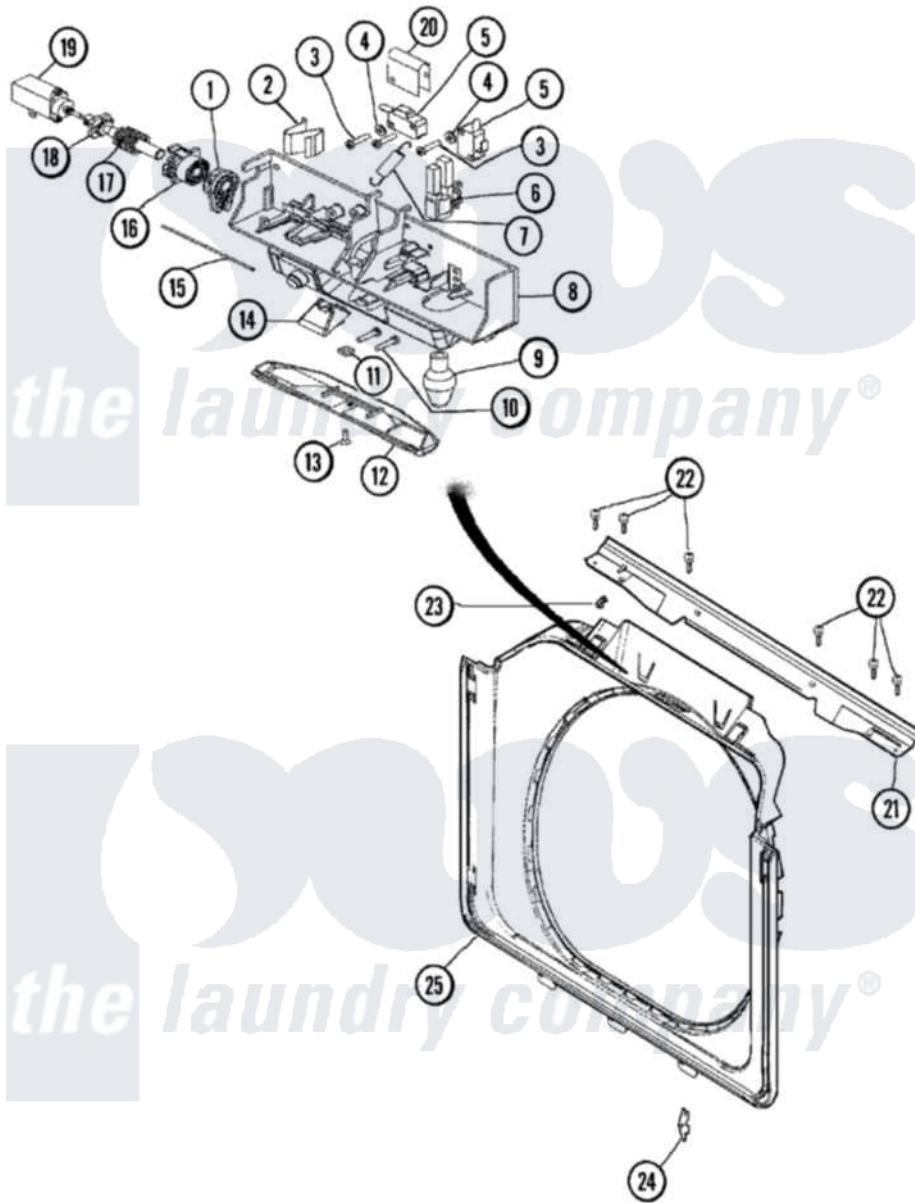


# Maytag MUG2000AXW 10 - DOOR SHROUD & DOOR LATCH ASSEMBLY (WASH)



Maytag [Commercial Maytag MUG2000AXW Stacked Washer and Dryer Parts](#) Parts Diagram 10 - DOOR SHROUD & DOOR LATCH ASSEMBLY (WASH)  
 Click on the part number to view part

Item	Original Part Number	Replaced By	Status	Part Description
1	<a href="#">22003716</a>			Rotating Gear, Latch
2	<a href="#">22003717</a>			Spring, Latch
3	<a href="#">22001352</a>			Screw, Check Switch
4	<a href="#">22002165</a>			Washer, Door Lock Switch
5	<a href="#">22002162</a>			Switch, Door Lock Spin Enable
6	<a href="#">22002433</a>			Bulb Holder Assembly
7	<a href="#">22002158</a>			Spring, Gear Return
8	<a href="#">22003067</a>			Switch Holder Assembly
9	<a href="#">22002263</a>			Lamp
10	<a href="#">22003719</a>			Screw, Latch
11	<a href="#">22003720</a>			Nut, Latch
12	<a href="#">22002434</a>			Cover, Bulb
13	22002435	<a href="#">241877</a>		Screw
14	<a href="#">22003055</a>			Ramp, Door Hoop
15	<a href="#">22002164</a>			Cable, Door

16	<a href="#">22003715</a>		Sliding Gear, Latch
17	<a href="#">22003721</a>		Spring, Axle / Latch
18	<a href="#">22003718</a>		Axle, Latch
19	<a href="#">22002119</a>		Motor, Wax
20	<a href="#">22004256</a>		Shield
21	33002202	<a href="#">33002477</a>	Support, Door Lock
22	<a href="#">22001995</a>		Screw Note: Screw, Tumbler Front And Shroud
23	<a href="#">22002014</a>		Clip, Harness To Support
24	22002095	<a href="#">12001994</a>	Cover
25	<a href="#">22002506</a>		Shroud And Dispenser Hose

