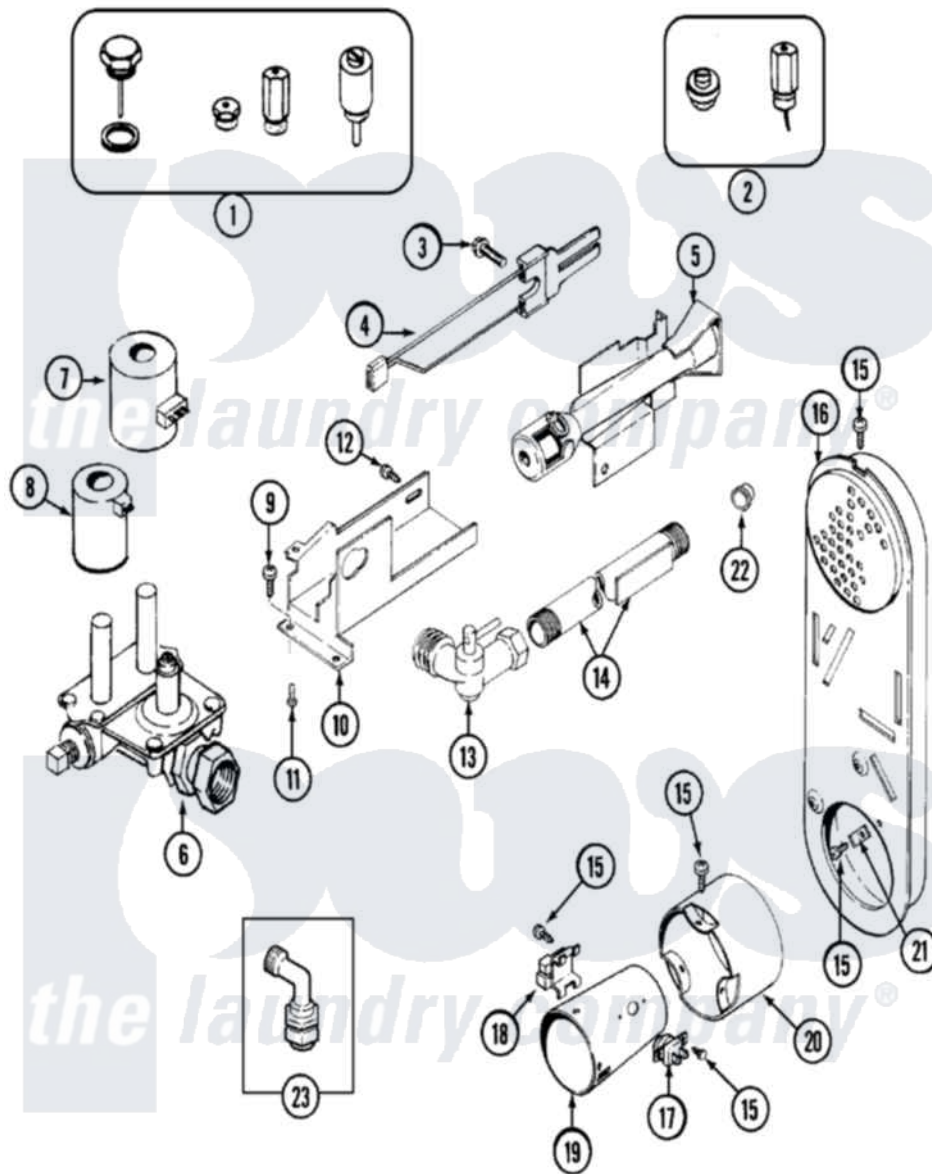


Maytag MUG2000AXW 11 - GAS VALVE (DRYER)



Maytag [Commercial Maytag MUG2000AXW Stacked Washer and Dryer Parts](#) Parts Diagram 11 - GAS VALVE (DRYER)
 Click on the part number to view part

Item	Original Part Number	Replaced By	Status	Part Description
1	Y306195	MAL9000AXX		LP Gas Con
2	306204	33002924		Gas Conv K
3	304971			Screw Note: Screw, Igniter
4	304970	4391996		Ignitor
5	33001247	33002793		Burner Assembly
6	33002056		Not Available	PLUG, HOLE (UPR)
"	306176			Valve, Gas
7	306106			Coil, Holding And Booster--W
8	306105	694540		Coil, 60 Hz
9	Y313561			Screw----NA
10	33002055			Bracket, Gas Valve----NA
11	314082	90767		Screw, 8A X 3/8 HeX Washer Head Tapping
12	22001995			Screw Note: Screw, Tumbler Front And Shroud
13	306086			Angle Shut Off For Gas Valve
14	33002220			Pipe And Bracket Assembly

15	211294	90767	Screw, 8A X 3/8 HeX Washer Head Tapping
16	33001810	Not Available	DUCT ASSY., INLET (GAS) NOTE: INLET DUCT ASSEMBLY
17	303395		Thermostat, Hi-Limit
18	Y303377	338906	Radiant, Sensor
19	33001835		Cone Assembly, Combustion
20	Y303841		Cone, Extension
21	Y312890		Retainer, Heater Chamber
22	33001693		Cap, Gas Pipe
23	33002236		Angle Connector Assembly

