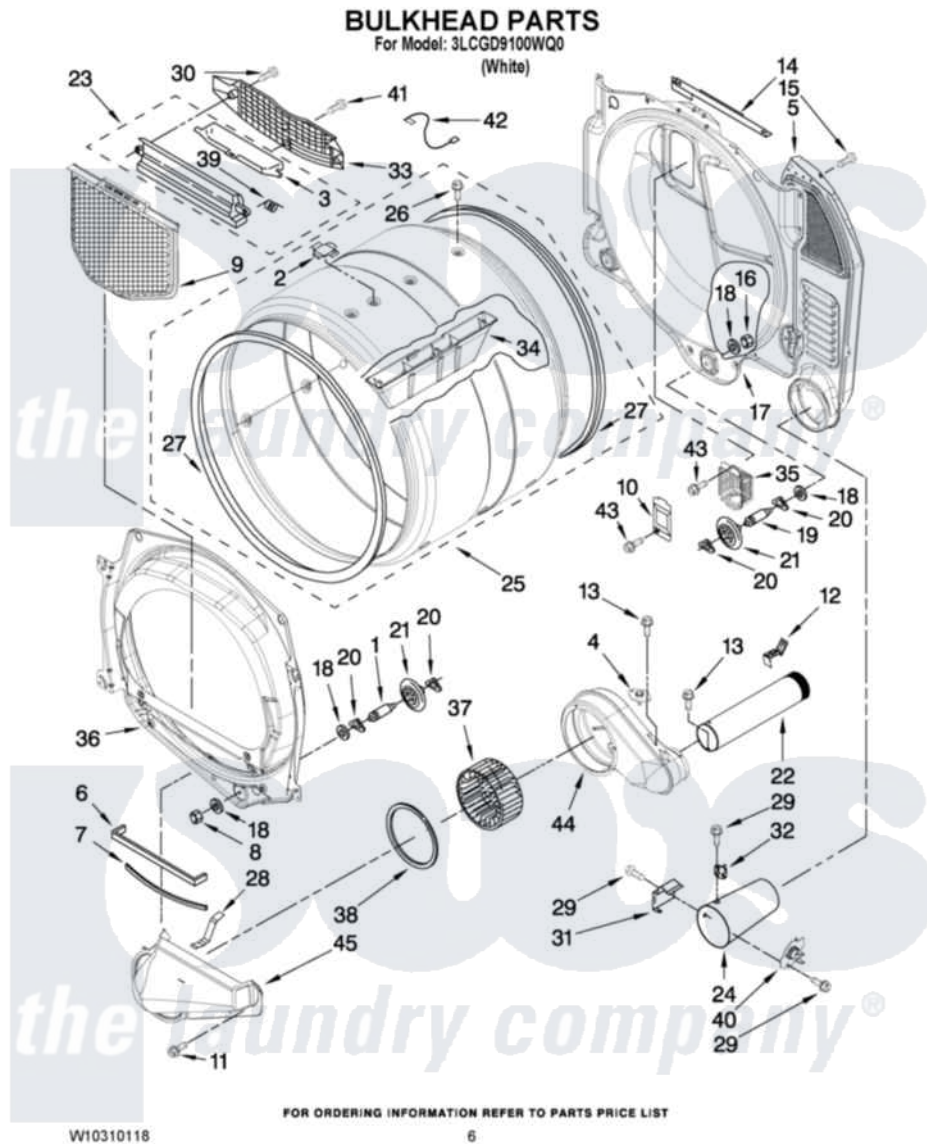


# Whirlpool 3LCGD9100WQ0 03 - BULKHEAD PARTS



Whirlpool Commercial Whirlpool 3LCGD9100WQ0 Dryer Parts Parts Diagram 03 - BULKHEAD PARTS  
 Click on the part number to view part

| Item | Original Part Number      | Replaced By               | Status | Part Description                |
|------|---------------------------|---------------------------|--------|---------------------------------|
| 1    | <a href="#">8575324</a>   | <a href="#">W10359271</a> |        | Shaft, Drum Roller Threads      |
| 2    | <a href="#">W10128544</a> |                           |        | Housing-Outlet                  |
| 3    | <a href="#">W10181925</a> |                           |        | Door, Lint Screen               |
| 4    | <a href="#">8577274</a>   |                           |        | Thermostat 295F                 |
| 5    | <a href="#">3394346</a>   |                           |        | Air Duct Assembly               |
| 6    | <a href="#">697813</a>    |                           |        | Seal, Outlet Housing            |
| 7    | 697814                    | <a href="#">697813</a>    |        | Seal, Outlet Housing            |
| 8    | <a href="#">W10080210</a> |                           |        | Nut, 3/8 X 16                   |
| 9    | W10049370                 | <a href="#">W10120998</a> |        | Screen                          |
| 10   | 3402841                   | <a href="#">8532165</a>   |        | Lens, Drum Light                |
| 11   | <a href="#">W10080380</a> |                           |        | Screw, 10-16 X 3/4              |
| 12   | <a href="#">8572105</a>   |                           |        | Retainer, Toe Panel             |
| 13   | <a href="#">W10080820</a> |                           |        | Screw, 8-18 X .298              |
| 14   | <a href="#">W10118337</a> |                           |        | Bracket-Bulkhead Upper Mounting |
| 15   | <a href="#">693995</a>    |                           |        | Screw, Hex Head                 |
| 16   | <a href="#">W10080190</a> |                           |        | Nut, 3/8-16                     |

|    |                           |                           |                              |
|----|---------------------------|---------------------------|------------------------------|
| 17 | <a href="#">W10080170</a> |                           | Bulkhead, Rear               |
| 18 | <a href="#">W10080960</a> |                           | Washer, Support              |
| 19 | <a href="#">8575325</a>   | <a href="#">W10359272</a> | Shaft, Roller Drum Threads   |
| 20 | <a href="#">690997</a>    |                           | Washer, Thrust               |
| 21 | 8536973                   | <a href="#">W10314173</a> | Support                      |
| 22 | <a href="#">W10225179</a> |                           | Exhaust Pipe                 |
| 23 | <a href="#">W10181928</a> |                           | Outlet Housing Assembly      |
| 24 | <a href="#">8573824</a>   |                           | Funnel, Burner               |
| 25 | <a href="#">W10233255</a> |                           | Complete Drum                |
| 26 | <a href="#">W10219342</a> |                           | Screw, Baffle Mounting       |
| 27 | W10166807                 | <a href="#">280114</a>    | Seal                         |
| 28 | <a href="#">8066208</a>   |                           | Clip-Exhaust                 |
| 29 | <a href="#">W10080280</a> |                           | Screw, 8-18 X 3/8            |
| 30 | <a href="#">W10080640</a> |                           | Screw, 10-16 X 1/2           |
| 31 | <a href="#">338906</a>    |                           | Radiant, Sensor              |
| 32 | <a href="#">W10206703</a> |                           | Thermostat, High-Limit 255 F |
| 33 | <a href="#">W10181926</a> |                           | Grille, Outlet               |
| 34 | <a href="#">W10153409</a> |                           | Baffle, Drum                 |
| 35 | <a href="#">8578825</a>   |                           | Bracket, Drum Light          |
| 36 | <a href="#">8565061</a>   |                           | Bulkhead, Front              |
| 37 | W10168564                 | <a href="#">W10349492</a> | Wheel, Blower                |
| 38 | <a href="#">W10181918</a> |                           | Foam-Seal                    |
| 39 | <a href="#">3394986</a>   |                           | Spring, Lint Screen Door     |
| 40 | <a href="#">W10181549</a> |                           | Thermal-Cutoff               |
| 41 | 695240                    | <a href="#">488729</a>    | Screw                        |
| 42 | <a href="#">3401707</a>   |                           | Jumper, Tco-High Limit       |
| 43 | <a href="#">W10080360</a> |                           | Screw, 8-15 X 1/2            |
| 44 | <a href="#">W10119255</a> |                           | Housing, Blower              |
| 45 | <a href="#">W10286419</a> |                           | Lint Duct Assembly           |

