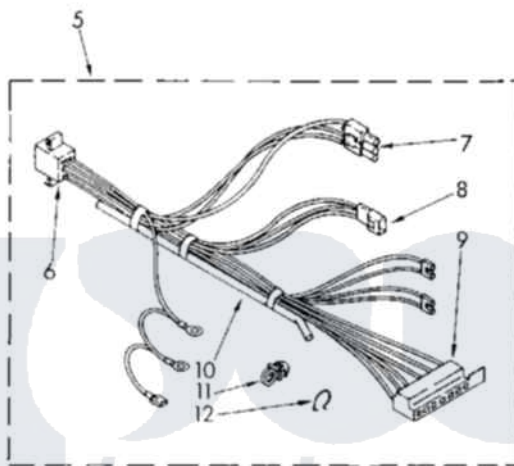
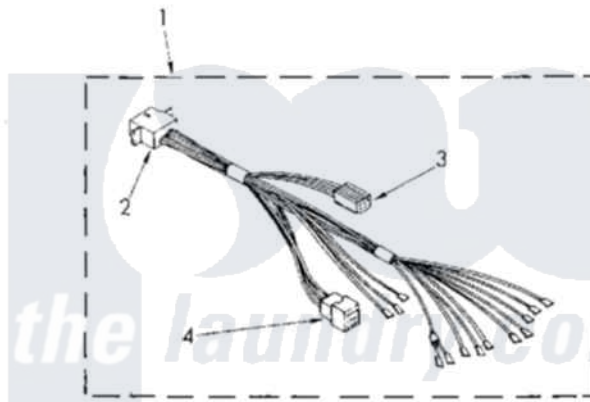


Whirlpool CA2751XSW0 10 - WIRING HARNESS

WIRING HARNESS PARTS

For Model: CA2751XSW0 and CA2751XSW1



385292

FOR ORDERING INFORMATION REFER TO PARTS PRICE LIST

12

737-E-A

Whirlpool [Commercial Whirlpool CA2751XSW0 Washer Parts](#) Parts Diagram 10 - WIRING HARNESS

[Click on the part number to view part](#)

Item	Original Part Number	Replaced By	Status	Part Description
1	3348448	3348409		Harness, Console
2	96894			Plug, Terminal
3	352457		Not Available	Plug, Terminal (6 Way) (Uses Terminal Below)
4	94697		Not Available	Cap, Terminal 12 Way (Uses Terminal 94613)
5	3348447			Harness and Pressure Switch Hose
6	94696			Plug, Terminal
7	62889			Receptacle, Terminal
8	353424			Plug, Terminal
9	62505			Block, Disconnect
10	386757	353244		Hose, Pressure Switch
11	62749		Not Available	Clip, Harness
12	63523			Harness, Protector