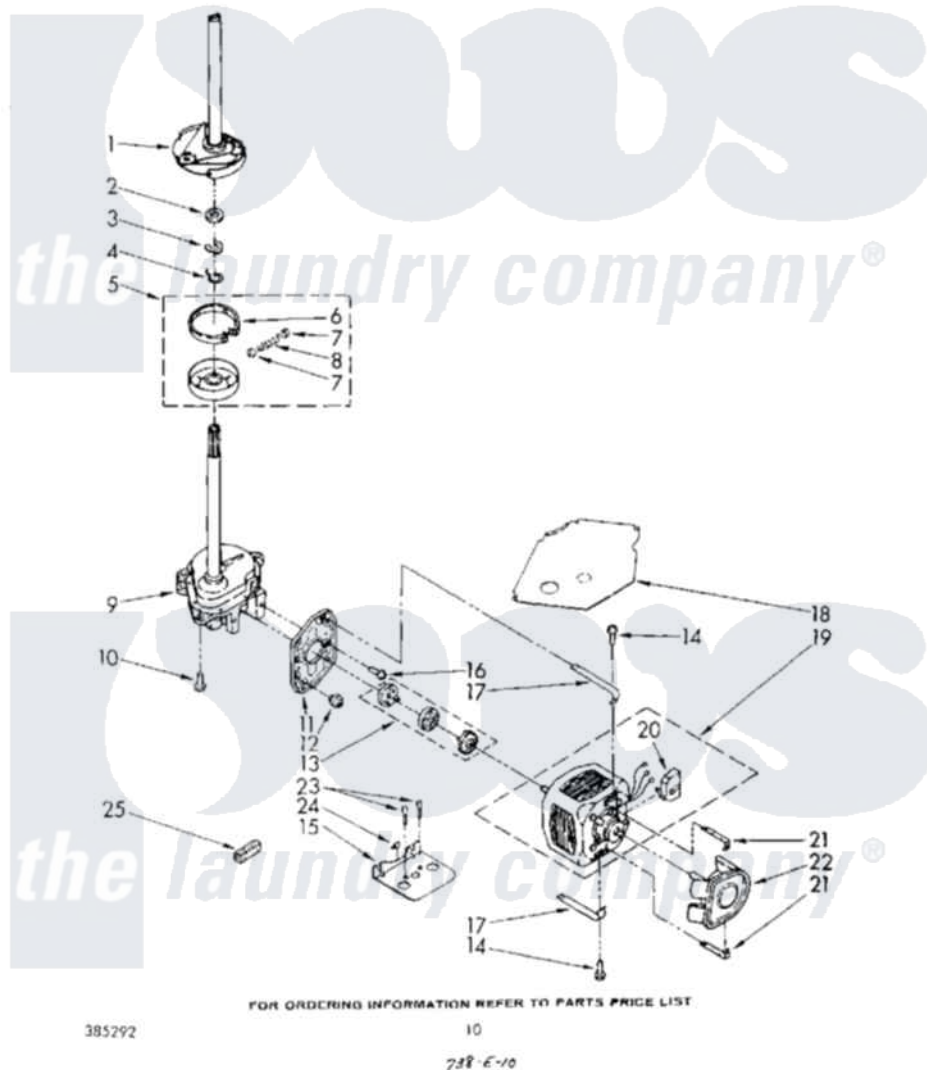


# Whirlpool CA2751XSW1 08 - BRAKE, CLUTCH, GEARCASE, MOTOR AND PUMP

## BRAKE, CLUTCH, GEARCASE, MOTOR AND PUMP PARTS

For Model: CA2751XSW0 and CA2751XSW1



Whirlpool [Commercial Whirlpool CA2751XSW1 Washer Parts](#) Parts Diagram 08 - BRAKE, CLUTCH, GEARCASE, MOTOR AND PUMP

[Click on the part number to view part](#)

Item	Original Part Number	Replaced By	Status	Part Description
1	388951	<a href="#">285792</a>		Basketdrive
2	<a href="#">63292</a>			Washer, Spin Tube Thrust
3	62697	<a href="#">W10080230</a>		Ring, Spin Tube Support
4	63283	<a href="#">285353</a>		Ring
5	388949	<a href="#">285785</a>		Clutch
6	388190	<a href="#">285790</a>		Lining
7	<a href="#">62646</a>			Cap, Clutch Spring
8	387712	<a href="#">285790</a>		Lining
9	389246	<a href="#">3360629</a>		Gearcase
10	62735		Not Available	Screw, 5/16-24 x 3/16 (3) (Gearcase To Tub Support)
11	<a href="#">62611</a>			Plate, Motor Mount To Gearcase
12	<a href="#">62691</a>			Grommet, Motor
13	285140	<a href="#">285753A</a>		Coupling

16	98062	<a href="#">3400516</a>	Screw Anti-Rattle
17	62692	<a href="#">W10086010</a>	Retainer, Motor
18	63209	<a href="#">3362089</a>	Shield, Tub To Motor
19	387780	<a href="#">661600</a>	Motor, Main Drive
20	62850	<a href="#">8529896</a>	Switch, Main Drive Motor
21	62700	<a href="#">8546127</a>	Retainer, Pump
22	3348015	<a href="#">3363394</a>	Pump

