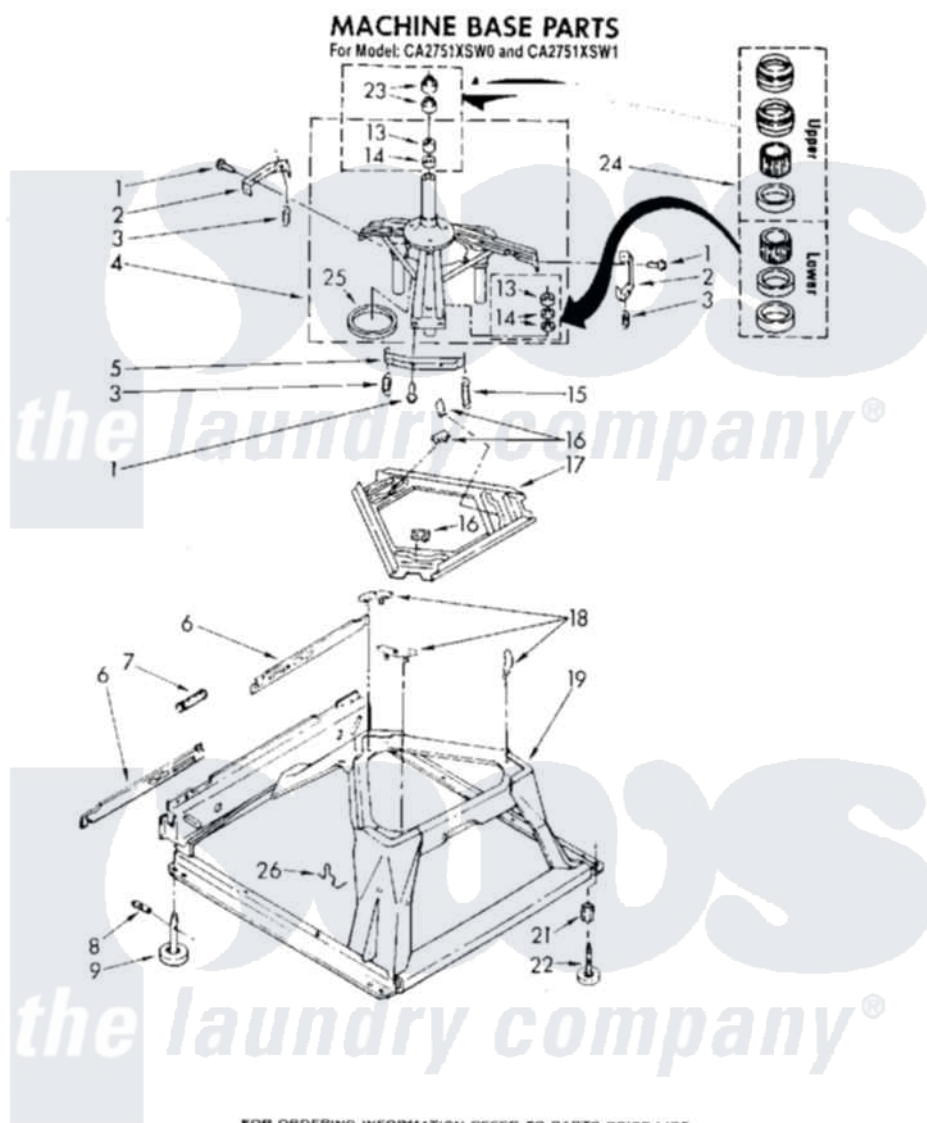


Whirlpool CA2751XSW1 09 - MACHINE BASE



11

385292

758-E-11

Whirlpool [Commercial Whirlpool CA2751XSW1 Washer Parts](#) Parts Diagram 09 - MACHINE BASE
Click on the part number to view part

Item	Original Part Number	Replaced By	Status	Part Description
1	98610	273556		Screw, 10-16 X 5/8
2	64067			Bracket, Spring Outer
3	63907			Spring, Suspension
4	389350	280184		Support
5	64065			Bracket, Spring Outer
6	63466			Link, Leveling Mechanism
7	62597	8316845		Spring
8	62837			Pin, Knurled
9	62596	285244		Feet-Leveling
11	63465	3946532		Shield, Motor
12	62863	3390631		Screw, 10-16 X 3/8
13	3347047	8546455		Bearing, Centerpost
14	357409	359449		Seal, Agitator Shaft
15	388492	W10250667		Spring, Counterweight
16	62568	285219		Pad
17	389299	3946509		Plate, Suspension

18	62602	285744	Pad
19	389149	285771	Base
20	63207	W10250667	Spring, Counterweight
21	62739		Nut, Lock
22	389102	W10001130	Foot, Leveling
23	356934	8577376	Seal, Centerpost
24	285203		Centerpost Bearing Kit
25	63134		Ring, Sound Deadening
26	63806	W10145155	Retainer, Suspension Spring

