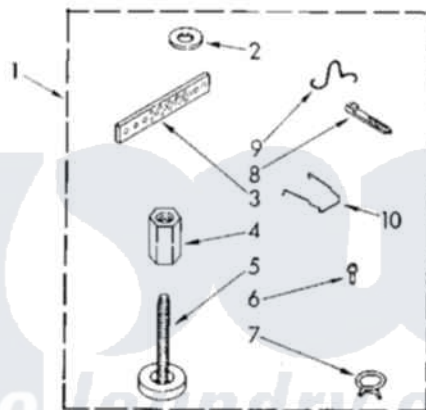




MISCELLANEOUS PARTS



FOR ORDERING INFORMATION REFER TO PARTS PRICE LIST

9

3351714

726-A-9

Whirlpool [Commercial Whirlpool CA2751XSW5 Washer Parts](#) Parts Diagram 07 - MISCELLANEOUS

[Click on the part number to view part](#)

| Item | Original Part Number    | Replaced By               | Status | Part Description  |
|------|-------------------------|---------------------------|--------|---|
| 1    | 3352532                 | <a href="#">285609</a>    |        | Parts-Misc  |
| 2    | <a href="#">16123</a>   |                           |        | Washer Inlet-Hose<br>Miscellaneous Parts Must be<br>Ordered Separately. |
| 3    | <a href="#">22965</a>   |                           |        | Strap, Grounding  |
| 4    | <a href="#">62739</a>   |                           |        | Nut, Lock   |
| 5    | 389102                  | <a href="#">W10001130</a> |        | Foot, Leveling  |
| 6    | 132848                  | <a href="#">3400036</a>   |        | Screw, 10-24 X 1  |
| 7    | <a href="#">356138</a>  |                           |        | Clamp, Hose   |
| 8    | 3347868                 | <a href="#">W10339879</a> |        | Tie, Cable  |
| 9    | <a href="#">3350222</a> |                           |        | Retainer, Drain Hose  |
| 10   | <a href="#">3352295</a> |                           |        | Guide, Drawer   |