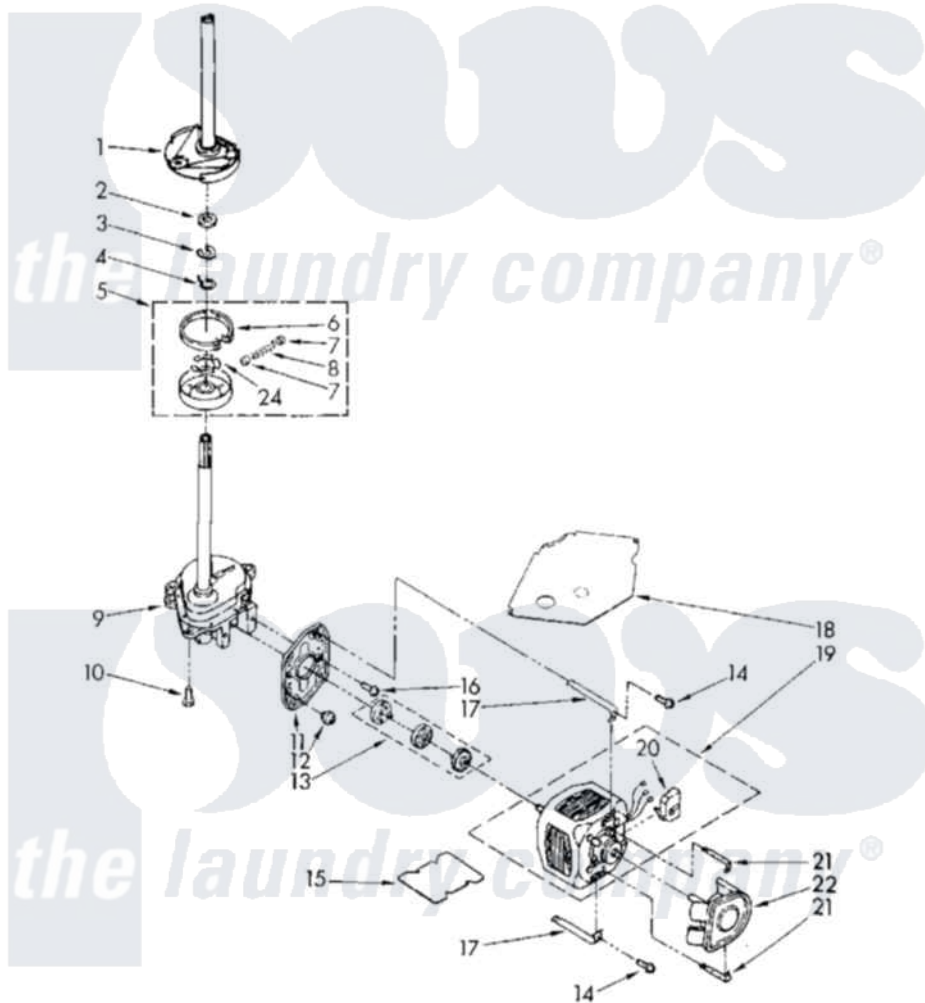


Whirlpool CA2751XSW5 08 - BRAKE, CLUTCH, GEARCASE, MOTOR AND PUMP

BRAKE, CLUTCH, GEARCASE, MOTOR AND PUMP PARTS

For Model: CA2751XSW5



FOR ORDERING INFORMATION REFER TO PARTS PRICE LIST

3351714

10

726-A-10

Whirlpool [Commercial Whirlpool CA2751XSW5 Washer Parts](#) Parts Diagram 08 - BRAKE, CLUTCH, GEARCASE, MOTOR AND PUMP

[Click on the part number to view part](#)

Item	Original Part Number	Replaced By	Status	Part Description
1	388951	285792		Basketdrive
2	63292			Washer, Spin Tube Thrust
3	62697	W10080230		Ring, Spin Tube Support
4	63283	285353		Ring
5	3351343	285785		Clutch
6	388190	285790		Lining
7	62646			Cap, Clutch Spring
8	387712	285790		Lining
9	389246	3360629		Gearcase
10	62735		Not Available	Screw, 5/16-24 x 3/16 (3) (Gearcase To Tub Support)
11	62611			Plate, Motor Mount To Gearcase
12	62691			Grommet, Motor
13	285140	285753A		Coupling

14	357640		Screw And Washer
15	3351341	3946532	Shield, Motor
16	98062	3400516	Screw Anti-Rattle
17	3349637	W10086010	Retainer, Motor
18	63209	3362089	Shield, Tub To Motor
19	3349643	661600	Motor, Main Drive
20	62851	8529896	Switch, Main Drive Motor
21	62700	8546127	Retainer, Pump
22	3348015	3363394	Pump
24	3350070	3355454	Clip, Main Drive

