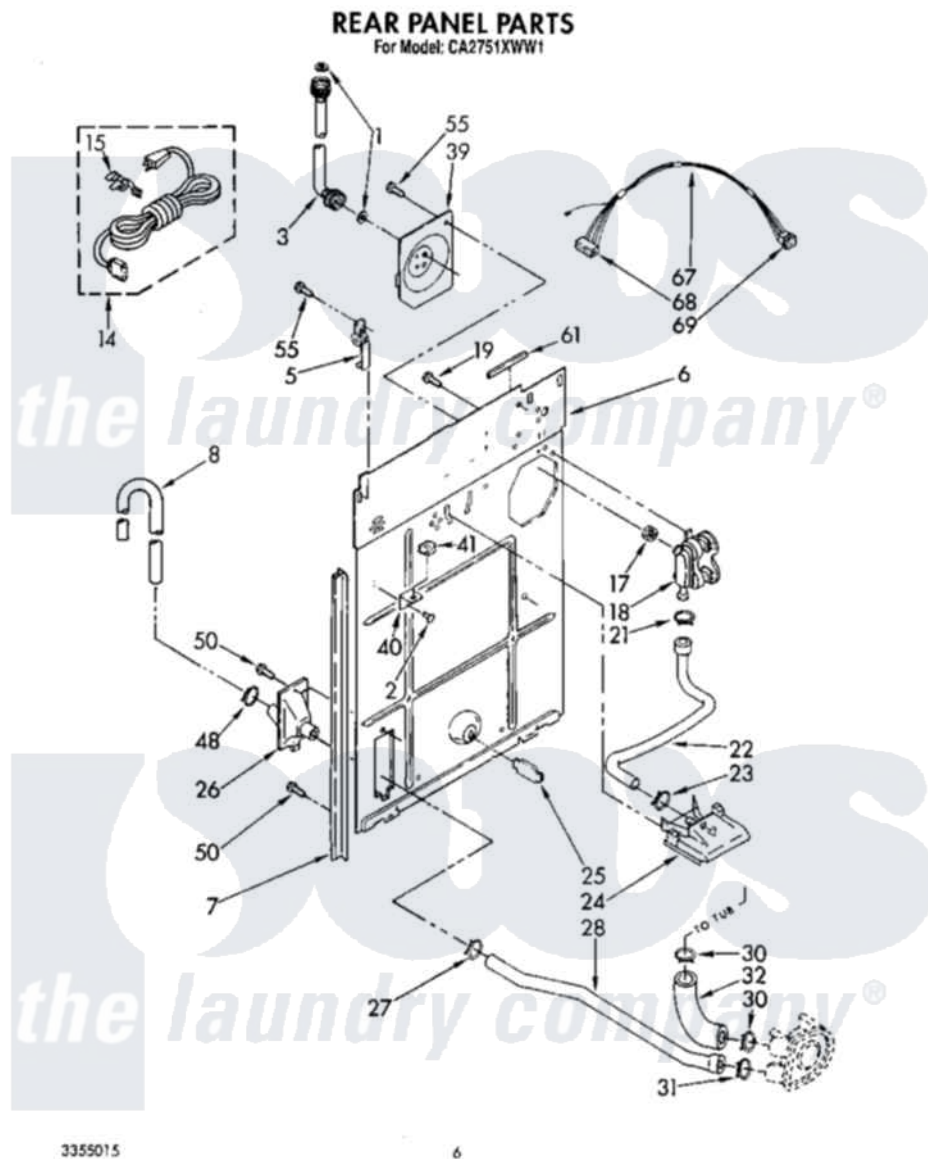


# Whirlpool CA2751XWG1 05 - REAR PANEL



Whirlpool [Commercial Whirlpool CA2751XWG1 Washer Parts](#) Parts Diagram 05 - REAR PANEL  
Click on the part number to view part

Item	Original Part Number	Replaced By	Status	Part Description
1	<a href="#">16123</a>			Washer Inlet-Hose Miscellaneous Parts Must be Ordered Separately.
2	<a href="#">63554</a>			Rivet
3	660028	<a href="#">89503</a>		Hose-Inlet
5	<a href="#">387402</a>			Hinge
6	3357692	<a href="#">285929</a>		Panel-Rear
7	3354204	<a href="#">62747</a>		Pad, Rear Panel
8	<a href="#">96743</a>			Hose, Drain
14	3348564	<a href="#">285800</a>		Cord-Power
15	62733	<a href="#">285777</a>		Relief-Str
17	<a href="#">96160</a>			Screen
18	358992	<a href="#">285805</a>		Valve-Inlet
19	62863	<a href="#">3390631</a>		Screw, 10-16 X 3/8
21	660632	<a href="#">596669</a>		Clamp, Manifold
22	62662	<a href="#">3357328</a>		Hose, Vacuum Break
23	371503	<a href="#">596669</a>		Clamp, Manifold

24	<a href="#">3347034</a>		Break, Vacuum
25	<a href="#">63290</a>	<a href="#">8519200</a>	Support, Rear Panel
26	3355497	<a href="#">3976399</a>	Connector
27	<a href="#">356138</a>		Clamp, Hose
28	<a href="#">3348552</a>		Hose, Pump To Drain Connector
30	<a href="#">371502</a>		Clamp, Hose
31	660628	<a href="#">285655</a>	Clamp, Hose
32	62731	<a href="#">285871</a>	Hose
39	3347682	<a href="#">285930</a>	Plate
40	<a href="#">3347824</a>		Bracket, Top Lock
41	<a href="#">90406</a>		Cage Nut, 5/16-18
48	<a href="#">356138</a>		Clamp, Hose
50	62863	<a href="#">3390631</a>	Screw, 10-16 X 3/8
55	3357011	<a href="#">308685</a>	Side Trim )
61	303294	<a href="#">3367669</a>	Protector, Edge
67	<a href="#">3355804</a>		Harness, Timer
68	<a href="#">352089</a>		Timer, Block Disconnect
69	<a href="#">96895</a>		Cap, Terminal

