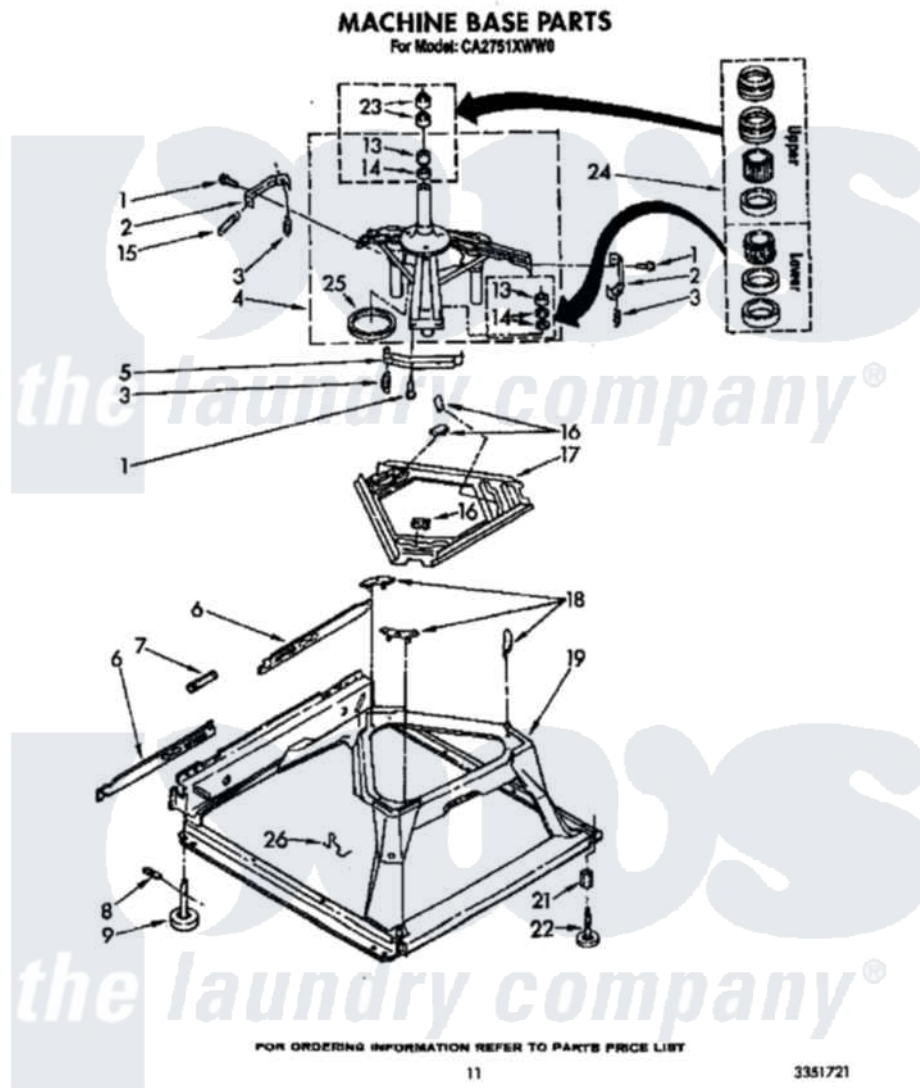


# Whirlpool CA2751XWN0 09 - MACHINE BASE



Whirlpool [Commercial Whirlpool CA2751XWN0 Washer Parts](#) Parts Diagram 09 - MACHINE BASE  
Click on the part number to view part

Item	Original Part Number	Replaced By	Status	Part Description
1	98610	<a href="#">273556</a>		Screw, 10-16 X 5/8
2	<a href="#">64067</a>			Bracket, Spring Outer
3	<a href="#">63907</a>			Spring, Suspension
4	389350	<a href="#">280184</a>		Support
5	<a href="#">64065</a>			Bracket, Spring Outer
6	3348727	<a href="#">63466</a>		Link, Leveling Mechanism
7	62597	<a href="#">8316845</a>		Spring
8	<a href="#">62837</a>			Pin, Knurled
9	62596	<a href="#">285244</a>		Feet-Leveling
13	3347047	<a href="#">8546455</a>		Bearing, Centerpost
14	357409	<a href="#">359449</a>		Seal, Agitator Shaft
15	388492	<a href="#">W10250667</a>		Spring, Counterweight
16	62568	<a href="#">285219</a>		Pad
17	389299	<a href="#">3946509</a>		Plate, Suspension
18	62602	<a href="#">285744</a>		Pad
19	3352259	<a href="#">285771</a>		Base

21	<a href="#">62739</a>		Nut, Lock
22	389102	<a href="#">W10001130</a>	Foot, Leveling
23	356934	<a href="#">8577376</a>	Seal, Centerpost
24	<a href="#">285203</a>		Centerpost Bearing Kit
25	<a href="#">63134</a>		Ring, Sound Deadening
26	<a href="#">63806</a>	<a href="#">W10145155</a>	Retainer, Suspension Spring

