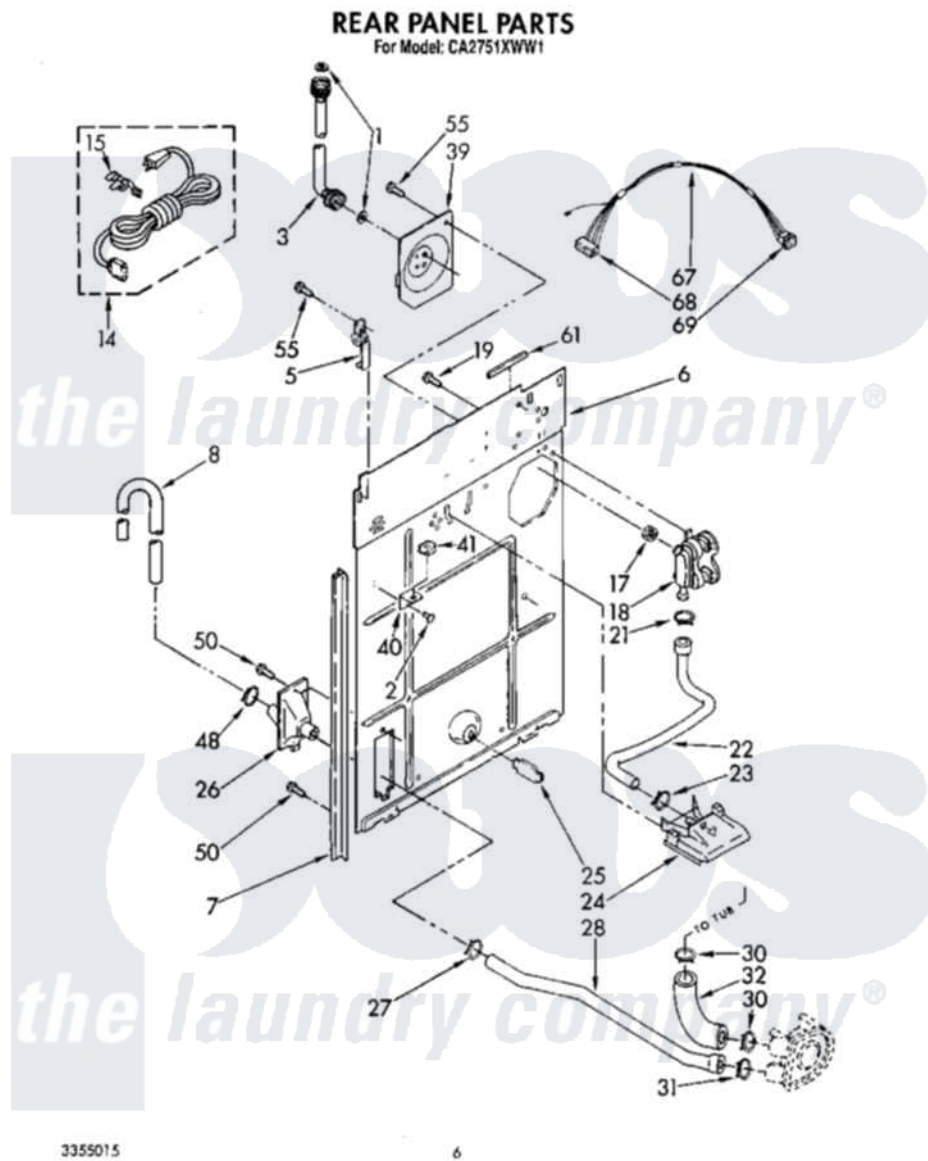


Whirlpool CA2751XWW1 05 - REAR PANEL



Whirlpool [Commercial Whirlpool CA2751XWW1 Washer Parts](#) Parts Diagram 05 - REAR PANEL
Click on the part number to view part

Item	Original Part Number	Replaced By	Status	Part Description
1	16123			Washer Inlet-Hose Miscellaneous Parts Must be Ordered Separately.
2	63554			Rivet
3	660028	89503		Hose-Inlet
5	387402			Hinge
6	3357692	285929		Panel-Rear
7	3354204	62747		Pad, Rear Panel
8	96743			Hose, Drain
14	3348564	285800		Cord-Power
15	62733	285777		Relief-Str
17	96160			Screen
18	358992	285805		Valve-Inlet
19	62863	3390631		Screw, 10-16 X 3/8
21	660632	596669		Clamp, Manifold
22	62662	3357328		Hose, Vacuum Break
23	371503	596669		Clamp, Manifold

24	3347034		Break, Vacuum
25	63290	8519200	Support, Rear Panel
26	3355497	3976399	Connector
27	356138		Clamp, Hose
28	3348552		Hose, Pump To Drain Connector
30	371502		Clamp, Hose
31	660628	285655	Clamp, Hose
32	62731	285871	Hose
39	3347682	285930	Plate
40	3347824		Bracket, Top Lock
41	90406		Cage Nut, 5/16-18
48	356138		Clamp, Hose
50	62863	3390631	Screw, 10-16 X 3/8
55	3357011	308685	Side Trim)
61	303294	3367669	Protector, Edge
67	3355804		Harness, Timer
68	352089		Timer, Block Disconnect
69	96895		Cap, Terminal

