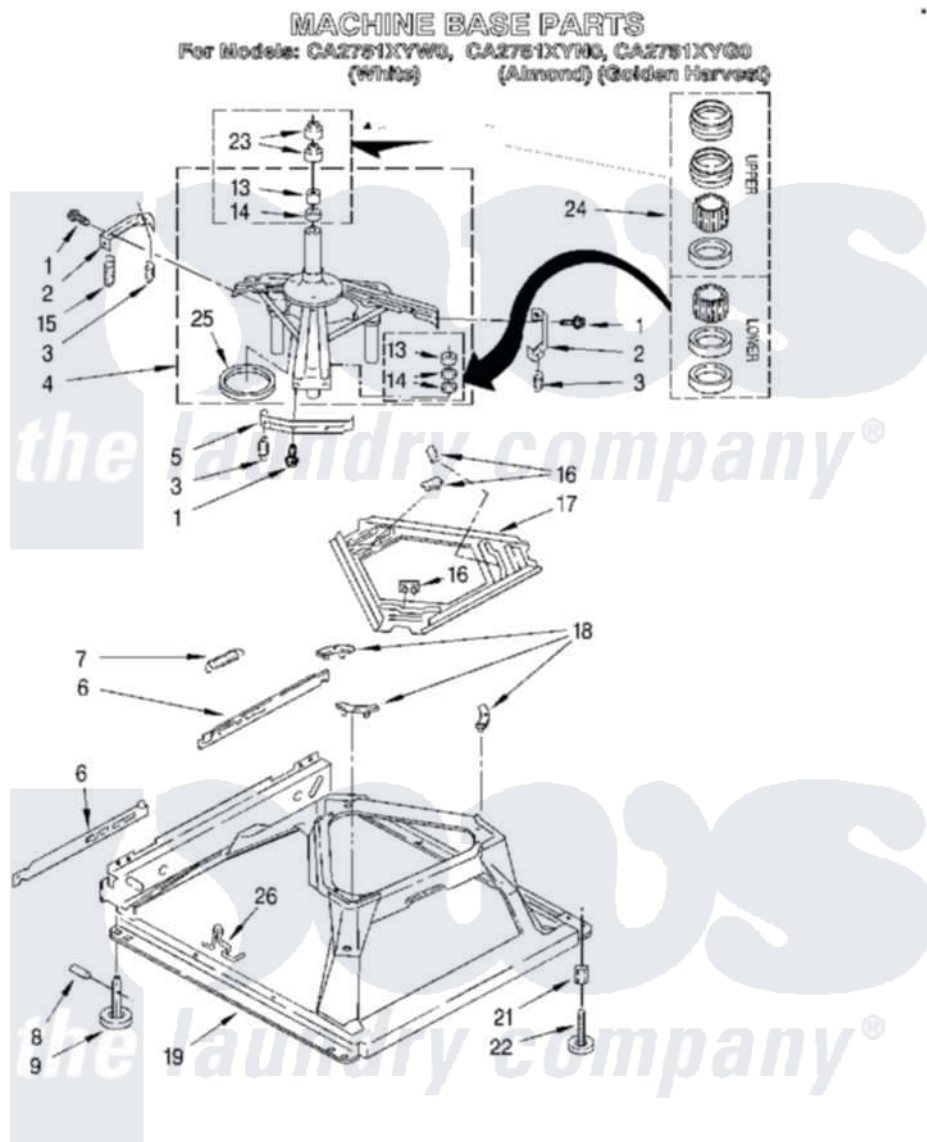


Whirlpool CA2751XYW0 08 - MACHINE BASE



10

3366020

Whirlpool [Commercial Whirlpool CA2751XYW0 Washer Parts](#) Parts Diagram 08 - MACHINE BASE
 Click on the part number to view part

Item	Original Part Number	Replaced By	Status	Part Description
1	343641	681414		Screw, 10AB X 1/2
2	64067			Bracket, Spring Outer
3	63907			Spring, Suspension
4	3362087	280184		Support
5	64065			Bracket, Spring Outer
6	3348727	63466		Link, Leveling Mechanism
7	62597	8316845		Spring
8	62837			Pin, Knurled
9	62596	285244		Feet-Leveling
13	3347047	8546455		Bearing, Centerpost
14	357409	359449		Seal, Agitator Shaft
15	388492	W10250667		Spring, Counterweight
16	62568	285219		Pad
17	389299	3946509		Plate, Suspension
18	62602	285744		Pad
19	3359886	285771		Base

21	3359452		Nut, Lock
22	389102	W10001130	Foot, Leveling
23	356934	8577376	Seal, Centerpost
24	285203		Centerpost Bearing Kit
25	63134		Ring, Sound Deadening
26	63806	W10145155	Retainer, Suspension Spring

