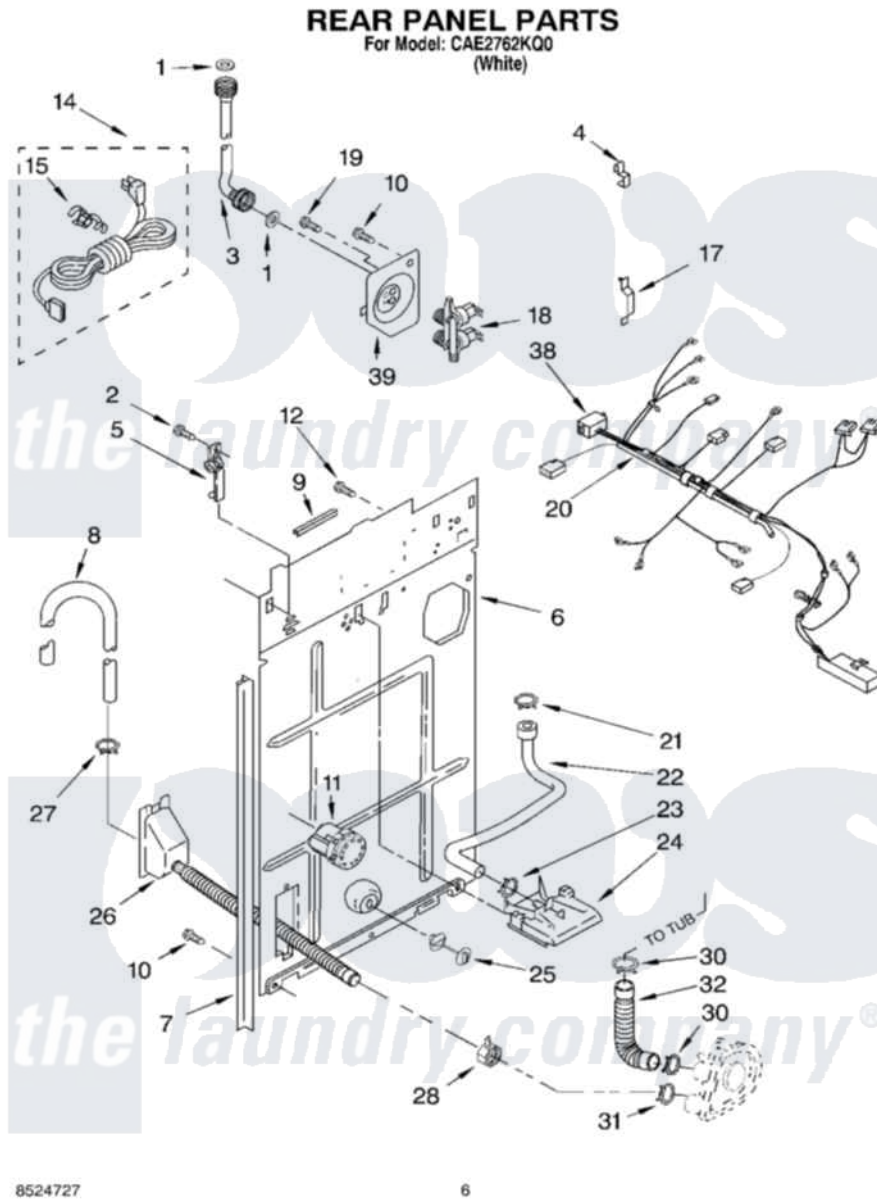


# Whirlpool CAE2762KQ0 05 - REAR PANEL



Whirlpool [Commercial Whirlpool CAE2762KQ0 Washer Parts](#) Parts Diagram 05 - REAR PANEL  
Click on the part number to view part

Item	Original Part Number	Replaced By	Status	Part Description
1	<a href="#">16123</a>			Washer Inlet-Hose Miscellaneous Parts Must be Ordered Separately.
2	3390647	<a href="#">488729</a>		Screw
3	<a href="#">3949380</a>			Hose, Water Inlet
"	<a href="#">3949381</a>			Hose, Water Inlet
4	<a href="#">8282518</a>			Clip, Harness
5	<a href="#">387402</a>			Hinge
6	8312721	<a href="#">285929</a>		Panel-Rear
7	3354204	<a href="#">62747</a>		Pad, Rear Panel
8	<a href="#">96743</a>			Hose, Drain
"	661577	<a href="#">285666</a>		Hose
"	3357090	<a href="#">285702</a>		Hose
9	303294	<a href="#">3367669</a>		Protector, Edge
10	62863	<a href="#">3390631</a>		Screw, 10-16 X 3/8
11	3952720	<a href="#">W10339019</a>		Switch-WL
12	<a href="#">3351611</a>			Screw, Gearcase Cover

12	<a href="#">3331014</a>		Mounting
14	3359548	<a href="#">285928</a>	Cord-Power
15	63848	<a href="#">285777</a>	Relief-Str
17	<a href="#">8054658</a>		Clip, Harness
18	3952164	<a href="#">285805</a>	Valve-Inlet
19	<a href="#">9740848</a>		Screw, Mixing Valve Mounting
20	3363655	<a href="#">353244</a>	Hose, Pressure Switch
21	370451	<a href="#">596669</a>	Clamp, Manifold
22	62662	<a href="#">3357328</a>	Hose, Vacuum Break
23	371503	<a href="#">596669</a>	Clamp, Manifold
24	<a href="#">3347034</a>		Break, Vacuum
25	<a href="#">8519200</a>		Support, Rear Panel
26	<a href="#">8317940</a>	<a href="#">W10358149</a>	Drain Hose Assembly
27	3366912	<a href="#">356138</a>	Clamp, Hose
28	<a href="#">3976395</a>		Restraint, Hose
30	3363366	<a href="#">616099</a>	Clamp
31	8317496	<a href="#">285655</a>	Clamp, Hose
32	3951449	<a href="#">285871</a>	Hose
38	<a href="#">3955148</a>		Harness, Wiring
39	3347682	<a href="#">285930</a>	Plate

