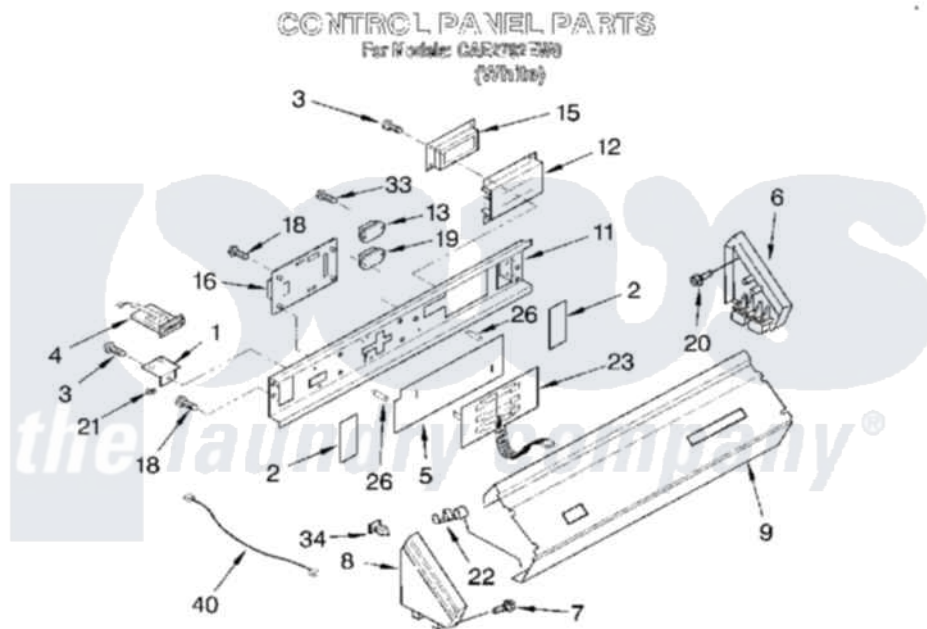


# Whirlpool CAE2792EW0 02 - CONTROL PANEL



.681424

3

Whirlpool [Commercial Whirlpool CAE2792EW0 Washer Parts](#) Parts Diagram 02 - CONTROL PANEL  
Click on the part number to view part

| Item | Original Part Number    | Replaced By               | Status        | Part Description                        |
|------|-------------------------|---------------------------|---------------|---|
| 1    | 3949607                 |                           | Not Available | Bracket, Card Reader                    |
| 2    | <a href="#">3950775</a> |                           |               | Backer Plate, Side                      |
| 3    | <a href="#">90767</a>   |                           |               | Screw, 8A X 3/8 HeX Washer Head Tapping |
| 4    | <a href="#">3949598</a> |                           |               | Card Reader                             |
| 5    | <a href="#">3950773</a> |                           |               | Backer Plate                            |
| 6    | <a href="#">3949737</a> |                           |               | Cap, End                                |
| 7    | <a href="#">388326</a>  |                           |               | Screw, 8-18 X 1,25                      |
| 8    | <a href="#">3949734</a> | <a href="#">W10096320</a> |               | Cap, End                                |
| 9    | <a href="#">3949729</a> |                           |               | Panel, Control                          |
| 11   | 3949731                 | <a href="#">3951394</a>   |               | Bracket, Control                        |
| 12   | <a href="#">3950779</a> |                           |               | Bezel, Display                          |
| 13   | <a href="#">697811</a>  |                           |               | Relay, Cancel                           |
| 15   | <a href="#">3950778</a> |                           |               | Display, Eletronic                      |
| 16   | <a href="#">3950777</a> |                           |               | Board, Control                          |
| 18   | <a href="#">3393909</a> |                           |               | Screw, 8-32 X 7/8                       |
| 19   | <a href="#">384674</a>  |                           |               | Relay, Power                            |

|    |                         |                           |                        |
|----|-------------------------|---------------------------|------------------------|
| 20 | 97787                   | <a href="#">W10109200</a> | Screw, Baffle Mounting |
| 21 | <a href="#">3406192</a> |                           | Nut, Push-In           |
| 22 | 357572                  | <a href="#">W10113937</a> | Clip, Grounding        |
| 23 | <a href="#">3950772</a> |                           | Switch, Membrane       |
| 26 | 3950774                 | <a href="#">3950773</a>   | Backer Plate           |
| 33 | 343641                  | <a href="#">681414</a>    | Screw, 10AB X 1/2      |
| 34 | <a href="#">689559</a>  |                           | Nut, Push-In           |
| 40 | <a href="#">3406407</a> |                           | Vfd Cable              |

