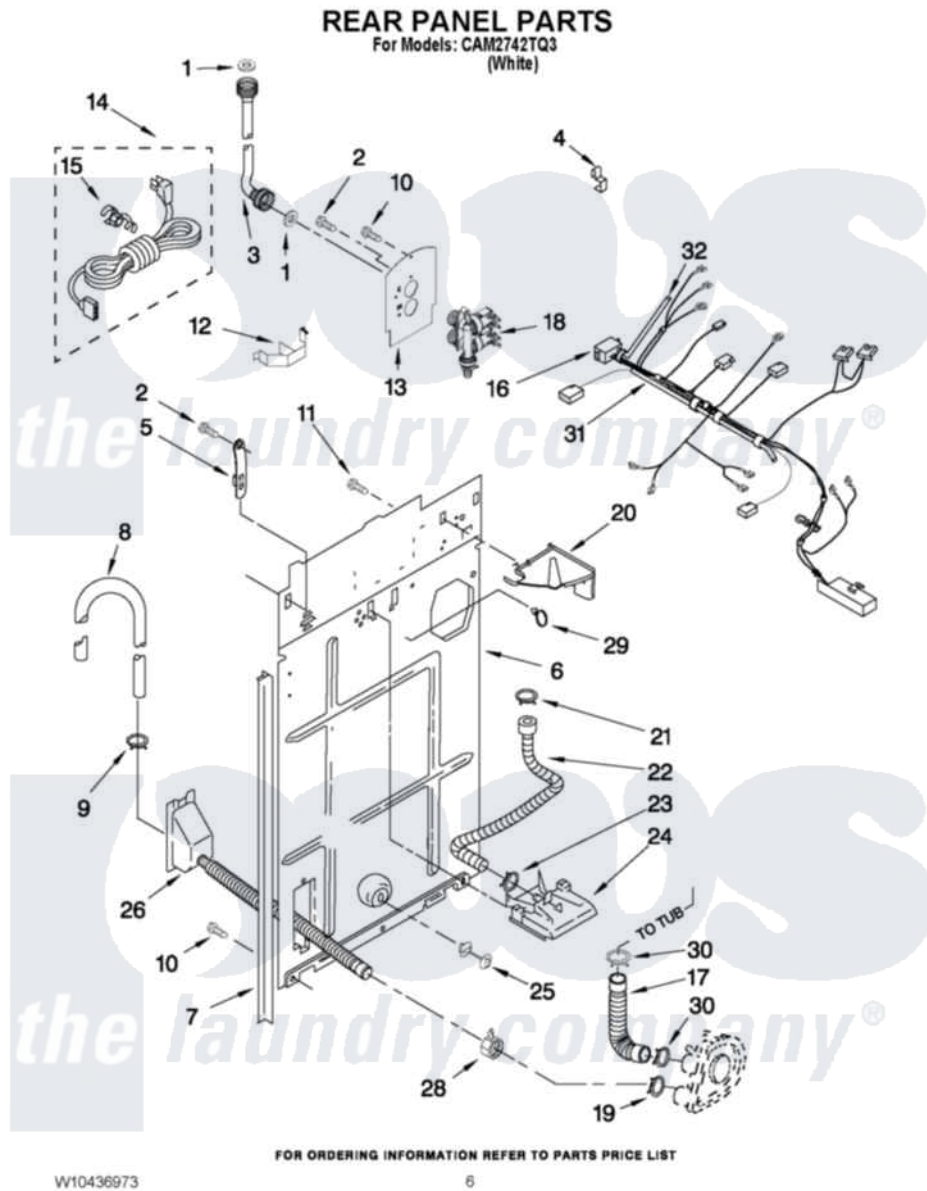


Whirlpool CAM2742TQ3 04 - REAR PANEL PARTS



Whirlpool [Commercial Whirlpool CAM2742TQ3 Washer Parts](#) Parts Diagram 04 - REAR PANEL PARTS
Click on the part number to view part

Item	Original Part Number	Replaced By	Status	Part Description
1	3976300	16123		Washer Inlet-Hose Miscellaneous Parts Must be Ordered Separately.
2	9740848			Screw, Mixing Valve Mounting
3	3949380			Hose, Water Inlet
"	3949381			Hose, Water Inlet
4	8282518			Clip, Harness
5	8568314			Strap, Console
6	8541649	285929		Panel-Rear
7	62747			Pad, Rear Panel
8	96743			Hose, Drain
9	8317496	285655		Clamp, Hose
10	62863	3390631		Screw, 10-16 X 3/8
11	3351614			Screw, Gearcase Cover Mounting
12	8055003			Clip, Harness And Pressure Switch
13	8541624	285930		Plate

14	3976231	285928	Cord-Power
15	3952821	285777	Relief-Str
16	W10114216		Harness, Wiring
17	3951449	285871	Hose
18	3979347	3979346	Valve, Water Inlet And Thermistor Assembly
19	3366912	356138	Clamp, Hose
20	8539874		Shield, Suds
21	301958	596669	Clamp, Manifold
22	8317974	8317926	Hose, Vacuum Break
23	370450	596669	Clamp, Manifold
24	387606	3360977	Break-Vac
25	8519200		Support, Rear Panel
26	W10358149		Drain Hose Assembly
28	3976395		Restraint, Hose
29	8559320		Restraint, Hose
30	3363366	616099	Clamp
31	8524801	353244	Hose, Pressure Switch
32	8524791	353244	Hose, Pressure Switch
NI	3954579		Miscellaneous Parts Bag

