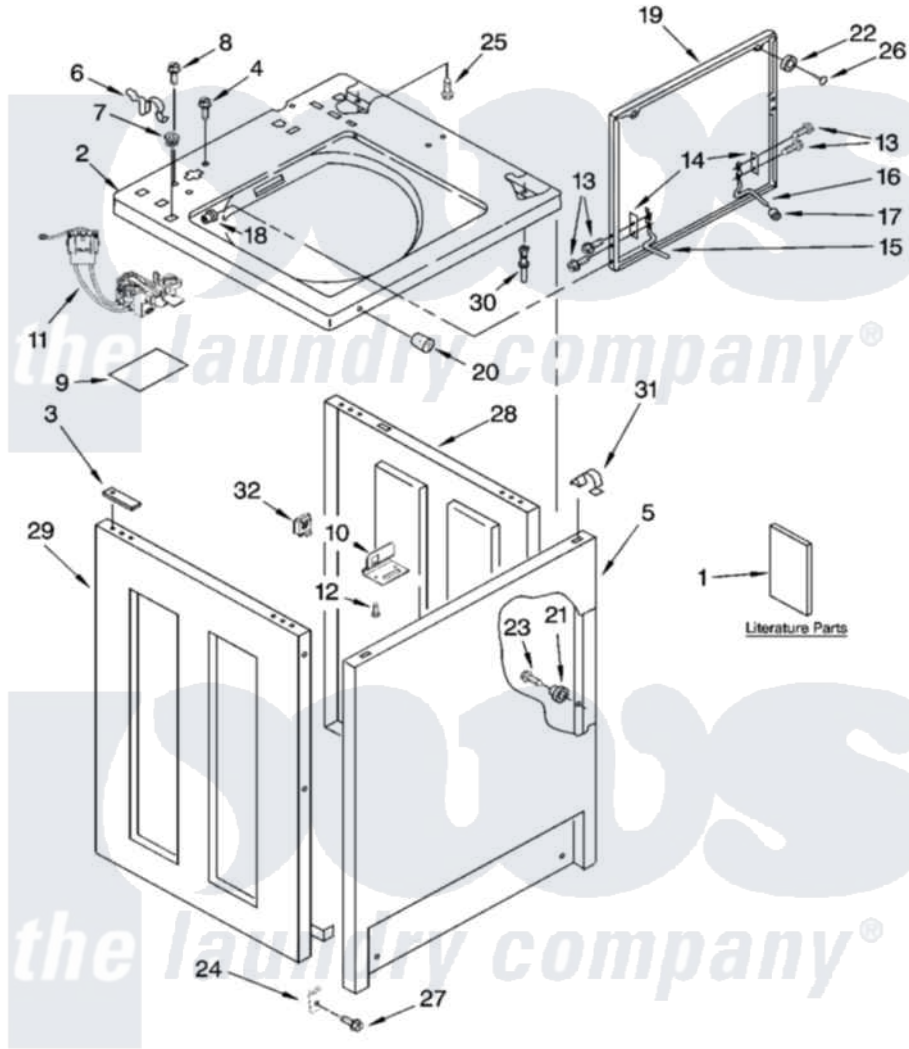


# Whirlpool CAM2752RQ0 01 - TOP AND CABINET PARTS

## TOP AND CABINET PARTS

For Model: CAM2752RQ0  
(White)



8579449

2

Whirlpool [Commercial Whirlpool CAM2752RQ0 Washer Parts](#) Parts Diagram 01 - TOP AND CABINET PARTS  
Click on the part number to view part

Item	Original Part Number	Replaced By	Status	Part Description
1	8524739		Not Available	Installation Instructions
"	<a href="#">8316532</a>			Installation Instructions Coin Kit
"	<a href="#">8574996</a>			Wiring Diagram
"	<a href="#">8579449</a>			Repair Parts List
2	<a href="#">8524688</a>			Top
3	<a href="#">3353950</a>			Spacer, Cabinet To Top
4	<a href="#">3351614</a>			Screw, Gearcase Cover Mounting
5	<a href="#">3358500</a>			Panel, Front
6	<a href="#">62780</a>			Clip, Top And Cabinet And Rear Panel
7	<a href="#">358473</a>			Nut, Push-In
8	<a href="#">3400611</a>			Screw And Washer, Lid Switch
9	<a href="#">3953152</a>			Shield, Pressure Switch
10	<a href="#">3353948</a>			Bracket, Lock
11	<a href="#">8054980</a>			Switch, Lid

12	<a href="#">63554</a>		Rivet
13	355274	<a href="#">W10119828</a>	Screw, Lid Hinge Mounting
14	<a href="#">21097</a>		Pad, Lid Hinge
15	<a href="#">8524784</a>		Hinge, Lid
16	<a href="#">54583</a>		Hinge, Lid
17	<a href="#">19119</a>		Bumper, Lid Hinge
18	<a href="#">21258</a>		Bearing, Lid Hinge
19	8316257	<a href="#">W10193854W10193854</a>	Lid
20	<a href="#">387371</a>		Lock, Plug Also Available
21	<a href="#">3353812</a>		Locator
22	<a href="#">356908</a>		Bumper, Lid
23	718258	<a href="#">9741232</a>	Screw, 8-18 X 5/8
24	<a href="#">W10004930</a>		Clip, U-Bend
25	<a href="#">3353993</a>		Screw 10-16 X .690
26	<a href="#">356907</a>		Rivet, Plastic
27	3393258	<a href="#">3373329D</a>	Screw
28	<a href="#">3976380</a>		Panel, Right Hand
29	<a href="#">3976382</a>		Panel, Left Hand
30	<a href="#">3353949</a>		Pin, Locator
31	<a href="#">18776</a>		Lock, Front Top
32	<a href="#">90406</a>		Cage Nut, 5/16-18

