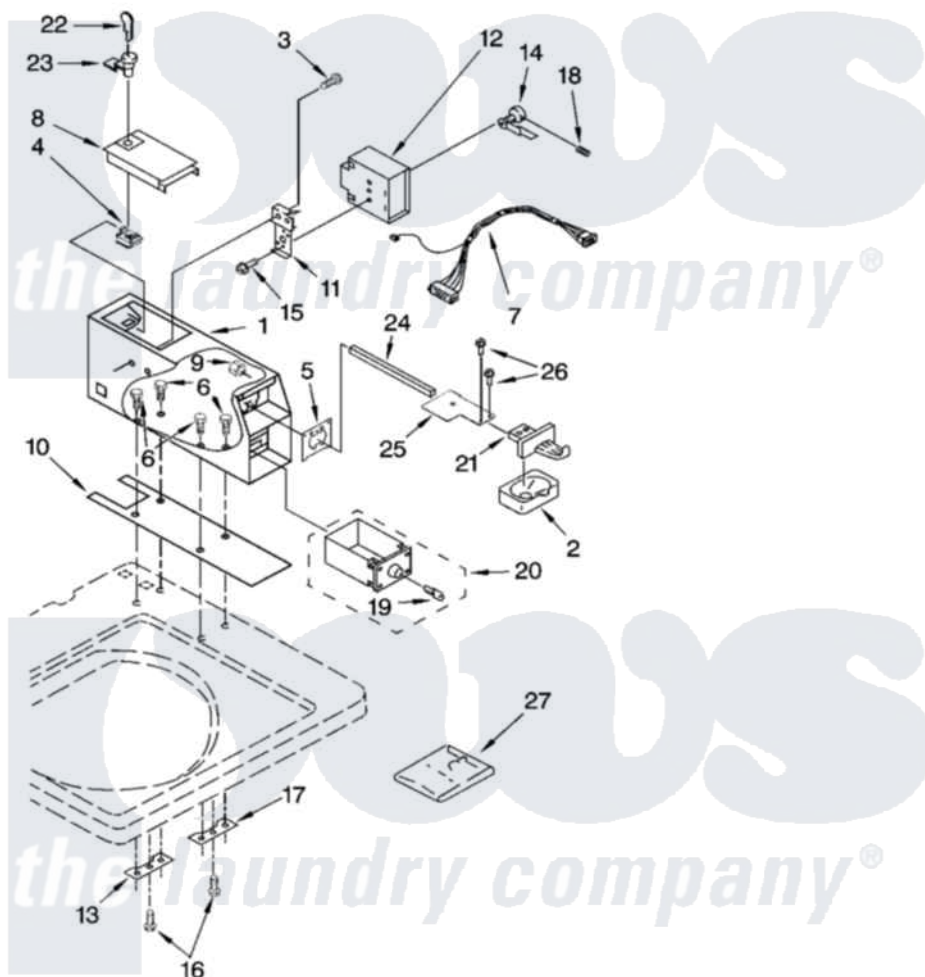


**METER CASE PARTS**

For Model: CAM2752RQ0  
(White)



Whirlpool [Commercial Whirlpool CAM2752RQ0 Washer Parts](#) Parts Diagram 03 - METER CASE PARTS  
Click on the part number to view part

Item	Original Part Number	Replaced By	Status	Part Description
1	<a href="#">3406994</a>			Case, Meter
2	<a href="#">385421</a>			Funnel, Coin
3	<a href="#">339805</a>			Screw, 10-32 X 3/16
4	<a href="#">90406</a>			Cage Nut, 5/16-18
5	3954761	<a href="#">279950</a>		Funnel
6	<a href="#">3353994</a>			Bolt, Meter Case Mounting
"	<a href="#">3349065</a>			Bolt, Meter Case Mounting
7	<a href="#">3955640</a>			Wire Harness, Timer
8	<a href="#">3351136</a>			Service Door Assembly
9	<a href="#">3400029</a>			Nut, Adapter Plate
10	<a href="#">3954812</a>			Cushion, Meter Case
11	<a href="#">385575</a>			Bracket, Timer
12	<a href="#">8574995</a>			Timer, 60 Hz
13	<a href="#">3353813</a>			Plate, Mounting
14	<a href="#">385571</a>			Clutch, Timer
"	<a href="#">354987</a>			Ring, Retaining

15	<a href="#">3400064</a>		Screw, Timer Mounting
16	<a href="#">98445</a>		Screw, 10-16 X 3/4
17	3347825	<a href="#">3353813</a>	Plate, Mounting
18	98654	<a href="#">8533976</a>	Set Screw
19	BLANK	Not Available	Key, Money Box
20	8316525	<a href="#">4396671</a>	Box
21	<a href="#">8316520</a>		Slide Mechanism Inserts
22	358288	<a href="#">4396669</a>	Key
23	8316526	<a href="#">4396668</a>	Lock-Cam
24	8318517	<a href="#">8576635</a>	Bolt
25	<a href="#">8316522</a>		Extension
26	<a href="#">3400086</a>		Screw, 10-32 X 3/8
27	8316524	<a href="#">4396670</a>	Kit

*the laundry company*<sup>®</sup>

*the laundry company*<sup>®</sup>

*the laundry company*<sup>®</sup>