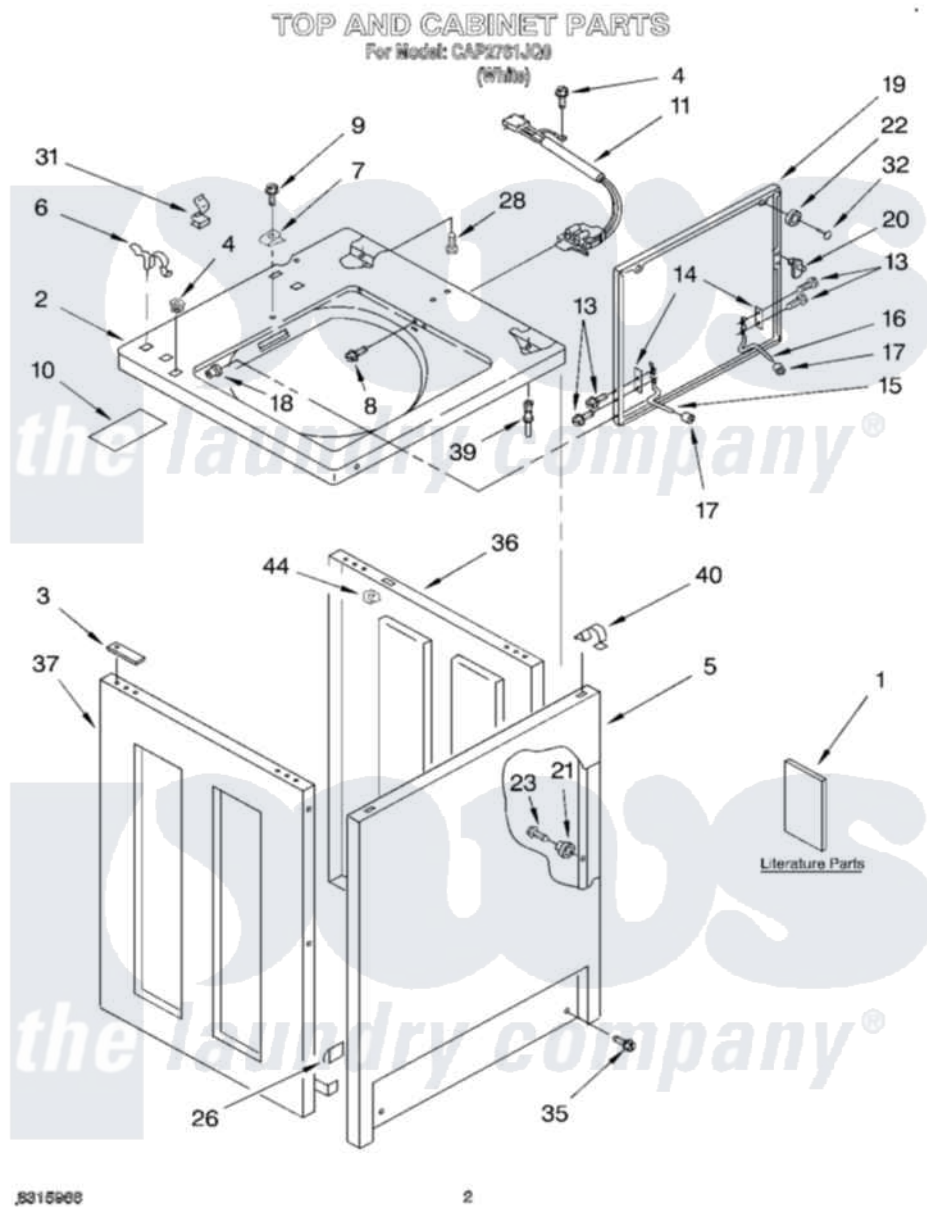


# Whirlpool CAP2761JQ0 02 - TOP AND CABINET, LITERATURE



.8315966

2

Whirlpool [Commercial Whirlpool CAP2761JQ0 Washer Parts](#) Parts Diagram 02 - TOP AND CABINET, LITERATURE

[Click on the part number to view part](#)

Item	Original Part Number	Replaced By	Status	Part Description
1	LIT8315965		Not Available	Literature Parts (Installation Instructions)
"	LIT8315960		Not Available	Literature Parts (Wiring Diagram)
"	LIT8315964		Not Available	Literature Parts (Tech Sheet)
"	LIT8315966		Not Available	Literature Parts (Repair Parts List)
2	<a href="#">3951142</a>			Top
3	<a href="#">3353950</a>			Spacer, Cabinet To Top
4	<a href="#">358473</a>			Nut, Push-In
5	<a href="#">3358500</a>			Panel, Front
6	<a href="#">62780</a>			Clip, Top And Cabinet And Rear Panel
7	<a href="#">3355753</a>			Clip, Static Ground
8	<a href="#">3356311</a>			Screw And Washer, Lid Switch Shield
9	3393918	<a href="#">355214</a>		Screw And Washer
10	<a href="#">3953152</a>			Shield, Pressure Switch

11	3352632	<a href="#">285671</a>	Switch-Lid
13	3351355	<a href="#">W10119828</a>	Screw, Lid Hinge Mounting
14	<a href="#">21097</a>		Pad, Lid Hinge
15	<a href="#">54584</a>		Hinge, Lid
16	<a href="#">91770</a>		Hinge, Lid
17	<a href="#">19119</a>		Bumper, Lid Hinge
18	<a href="#">21258</a>		Bearing, Lid Hinge
19	8316257	<a href="#">W10193854W10193854</a>	Lid
20	<a href="#">358684</a>		Strike, Lid Switch
21	<a href="#">3353812</a>		Locator
22	<a href="#">356908</a>		Bumper, Lid
23	718258	<a href="#">9741232</a>	Screw, 8-18 X 5/8
26	<a href="#">98234</a>		Clip, U-Bend
28	<a href="#">3353993</a>		Screw 10-16 X .690
31	<a href="#">90016</a>		Clip, Pressure Switch Hose
32	<a href="#">356907</a>		Rivet, Plastic
35	3393258	<a href="#">3373329D</a>	Screw
36	3353708	<a href="#">3976380</a>	Panel, Right Hand
37	<a href="#">3353714</a>	<a href="#">3976382</a>	Panel, Left Hand
39	<a href="#">3353949</a>		Pin, Locator
40	<a href="#">18776</a>		Lock, Front Top
44	<a href="#">90406</a>		Cage Nut, 5/16-18

