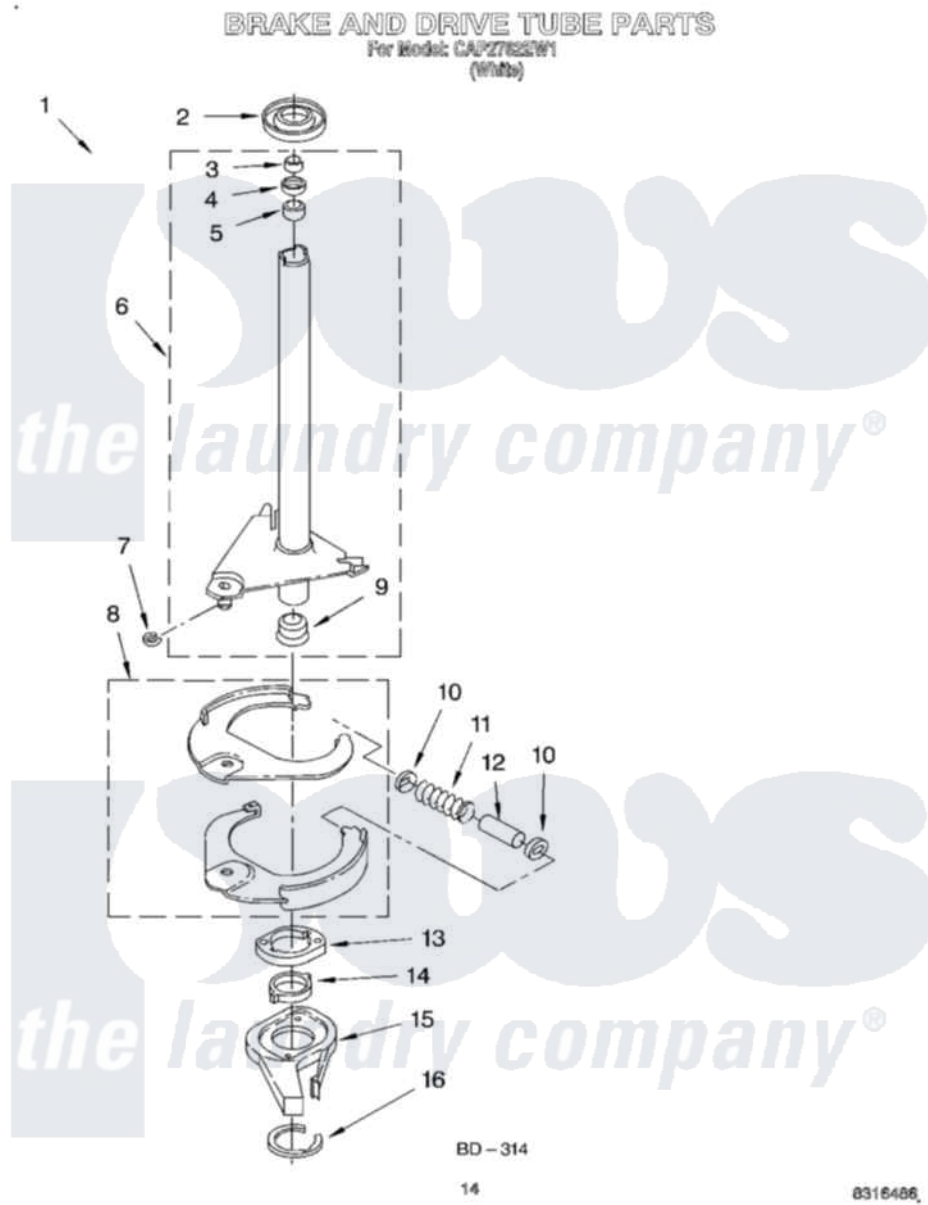


# Whirlpool CAP2762EW1 10 - BRAKE AND DRIVE TUBE



Whirlpool Commercial Whirlpool CAP2762EW1 Washer Parts Parts Diagram 10 - BRAKE AND DRIVE TUBE  
Click on the part number to view part

| Item | Original Part Number   | Replaced By               | Status        | Part Description       |
|------|------------------------|---------------------------|---------------|------------------------|
| 1    | 388951                 | <a href="#">285792</a>    |               | Basketdrive            |
| 2    |                        |                           | Not Available |                        |
| 3    | <a href="#">91939</a>  |                           |               | Seal, Shaft            |
| 4    | <a href="#">356427</a> |                           |               | Seal, Spin Pinion      |
| 5    | <a href="#">356937</a> |                           |               | Spacer, Drive Tube     |
| 6    | 64027                  | <a href="#">64208</a>     |               | Tube-Spin              |
| 7    | 64035                  | <a href="#">W10083190</a> |               | Ring, Retaining        |
| 8    | 64232                  | <a href="#">285438</a>    |               | Shoe-Brake             |
| 9    | 62703                  | <a href="#">8546462</a>   |               | "T" Bearing, Spin Tube |
| 10   | 62648                  | <a href="#">285658</a>    |               | Sleeve                 |
| 11   | 62647                  |                           | Not Available | Spring, Brake          |
| 12   | 62909                  | <a href="#">285658</a>    |               | Sleeve                 |
| 13   | 63023                  | <a href="#">8546461</a>   |               | Cam, Brake Release     |
| 14   | <a href="#">63022</a>  |                           |               | Sleeve, Cam            |
| 15   | 64194                  | <a href="#">285790</a>    |               | Lining                 |
| 16   | <a href="#">90368</a>  | <a href="#">W10083200</a> |               | Ring, Retaining        |

