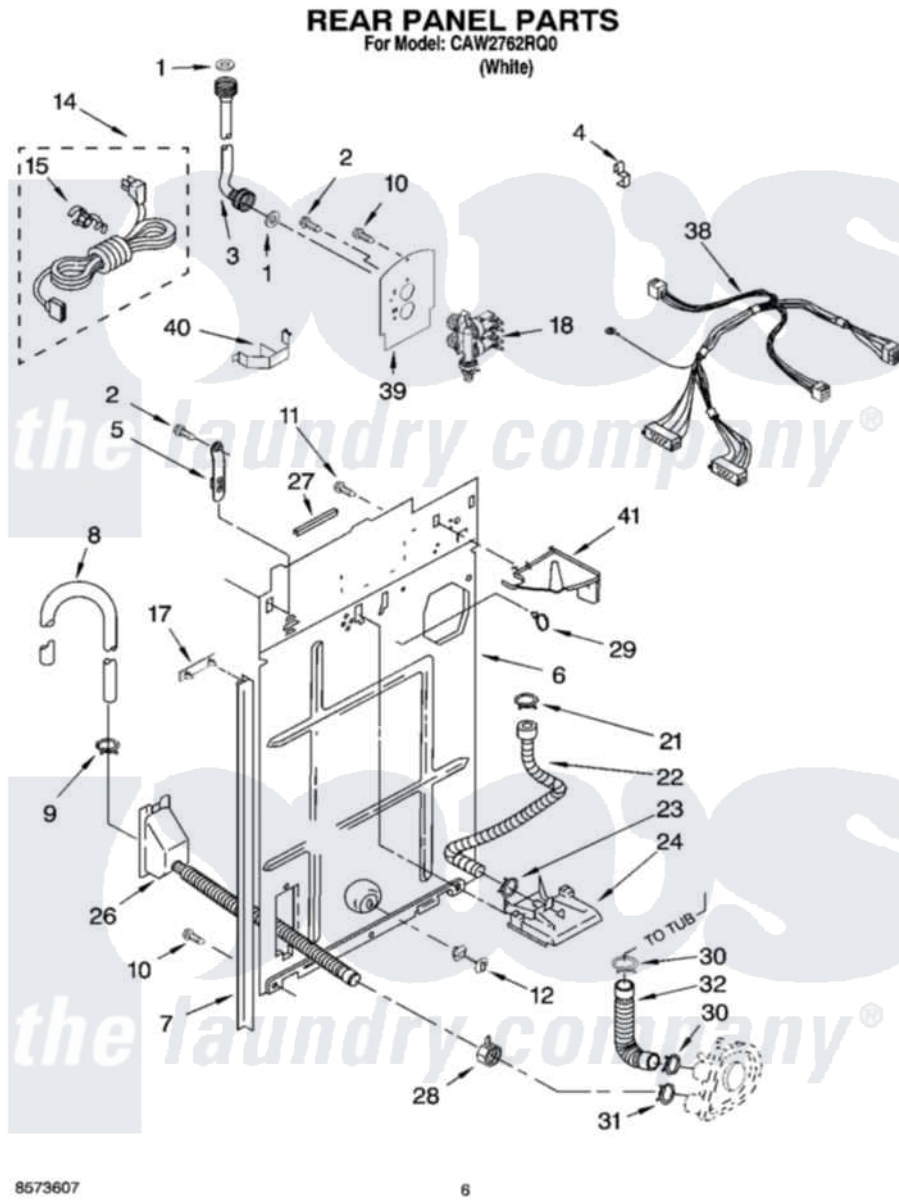


# Whirlpool CAW2762RQ0 04 - REAR PANEL PARTS



Whirlpool [Commercial Whirlpool CAW2762RQ0 Washer Parts](#) Parts Diagram 04 - REAR PANEL PARTS  
Click on the part number to view part

Item	Original Part Number	Replaced By	Status	Part Description
1	3976300	<a href="#">16123</a>		Washer Inlet-Hose Miscellaneous Parts Must be Ordered Separately.
2	<a href="#">9740848</a>			Screw, Mixing Valve Mounting
3	<a href="#">3949380</a>			Hose, Water Inlet
"	<a href="#">3949381</a>			Hose, Water Inlet
4	<a href="#">8282518</a>			Clip, Harness
5	<a href="#">8568314</a>			Strap, Console
6	8541649	<a href="#">285929</a>		Panel-Rear
7	3354204	<a href="#">62747</a>		Pad, Rear Panel
8	<a href="#">96743</a>			Hose, Drain
"	661577	<a href="#">285666</a>		Hose
"	3357090	<a href="#">285702</a>		Hose
9	371507	<a href="#">371502</a>		Clamp, Hose
10	62863	<a href="#">3390631</a>		Screw, 10-16 X 3/8
11	<a href="#">3351614</a>			Screw, Gearcase Cover Mounting

12	<a href="#">8519200</a>		Support, Rear Panel
14	3359548	<a href="#">285928</a>	Cord-Power
15	3952821	<a href="#">285777</a>	Relief-Str
17	<a href="#">389379</a>		Retainer, Side To Feature Panel
18	3979347	<a href="#">3979346</a>	Valve, Water Inlet And Thermistor Assembly
21	301958	<a href="#">596669</a>	Clamp, Manifold
22	8317974	<a href="#">8317926</a>	Hose, Vacuum Break
23	370450	<a href="#">596669</a>	Clamp, Manifold
24	387606	<a href="#">3360977</a>	Break-Vac
26	<a href="#">8317940</a>	<a href="#">W10358149</a>	Drain Hose Assembly
27	303294	<a href="#">3367669</a>	Protector, Edge
28	<a href="#">3976395</a>		Restraint, Hose
29	<a href="#">8559320</a>		Restraint, Hose
30	3363366	<a href="#">616099</a>	Clamp
31	3366912	<a href="#">356138</a>	Clamp, Hose
32	3951449	<a href="#">285871</a>	Hose
38	<a href="#">3957379</a>		Harness, Timer
39	8541624	<a href="#">285930</a>	Plate
40	<a href="#">8055003</a>		Clip, Harness And Pressure Switch
41	<a href="#">8539874</a>		Shield, Suds
"	BLANK	Not Available	Following Parts Not Illustrated
"	<a href="#">3954579</a>		Miscellaneous Parts Bag

