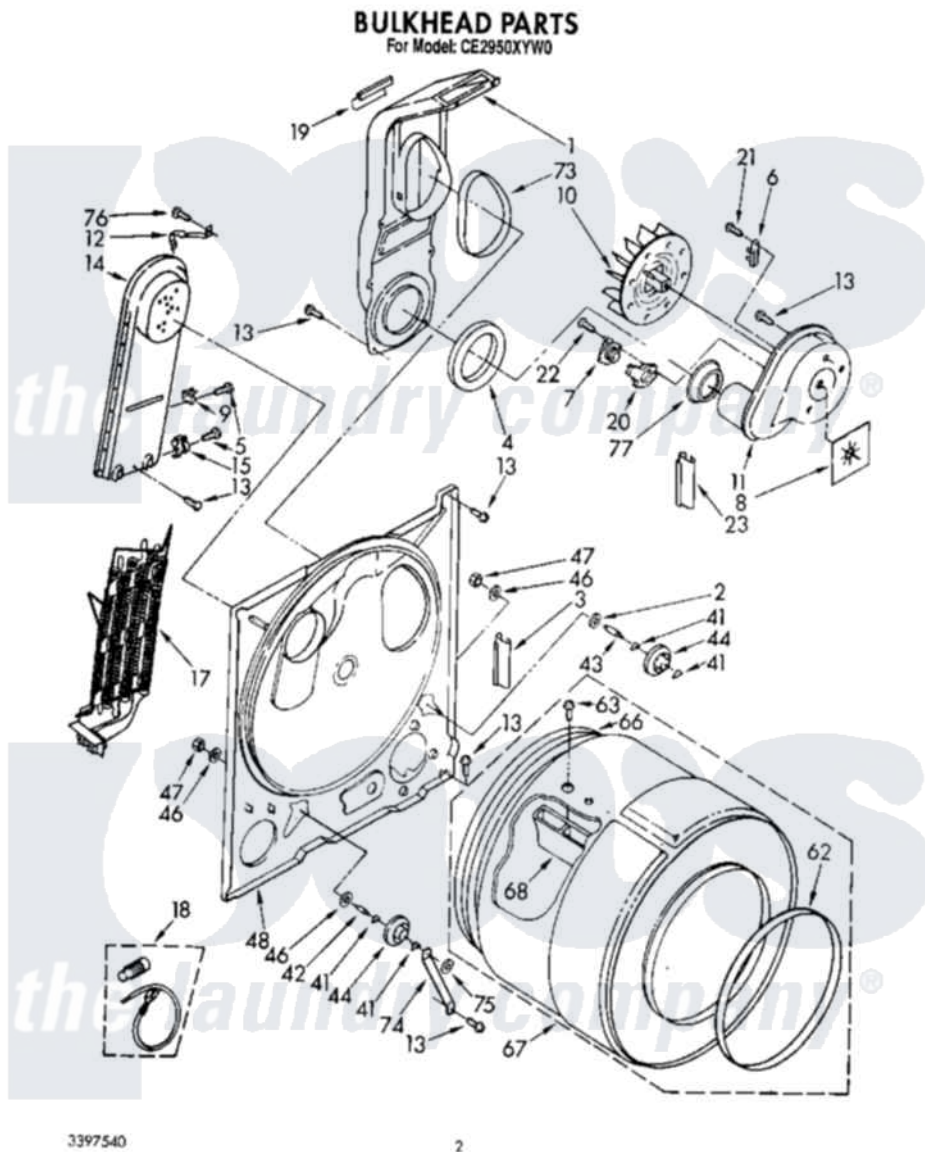


Whirlpool CE2950XYG0 02 - BULKHEAD



Whirlpool [Commercial Whirlpool CE2950XYG0 Dryer Parts](#) Parts Diagram 02 - BULKHEAD
Click on the part number to view part

Item	Original Part Number	Replaced By	Status	Part Description
1	694283	279505		Chute
2	3388703			Washer, Support
3	686889			Pad
4	347139			Seal, Lint Chute
5	90767			Screw, 8A X 3/8 HeX Washer Head Tapping
6	3392519			Thermal Limiter
7	660039	694674		Thermistor-Fix
"	341146	694674		Thermistor-Fix
8	3392123	3394196		Seal, Blower Shaft
9	3389946	279769		Cutoff-Tml
10	694089			Wheel, Blower
11	695081	8577230		Housing, Blower
12	337272	279771		CLIP
13	343641	681414		Screw, 10AB X 1/2
14	695547			Box, Heater
15	3390291			Thermostat, High Limit 250F

17	693301	279462	Element
18	279457		Wire Kit, Terminal
19	686770	686769	Protector, Support
20	61894		Heater, Thermostat
21	695239	965173	Screw, 8 X 3/8 Phlps. Round Hd.
22	695240	488729	Screw
23	3392247	686889	Pad
41	690997		Washer, Thrust
42	347364	W10359270	Shaft, Drum Roller Threads
43	339489	W10359269	Shaft, Drum Roller Threads
44	3389901	349241T	Support
46	348197		Washer, Support
47	3359452		Nut, Lock
48	3387227	279793	Bulkhead
62	3394508		Ring, Bearing
63	690372	Not Available	Screw, Baffle Mounting (6) (11-16 x 7/8)
66	337449	239087	Seal
67	3387226	3396775	Drum Assembly
68	342847		Baffle, Drum
73	339956		Seal, Air Duct To Bulkhead
74	348945	3976435	Bracket, Support
75	90296		Nut, Push On
76	687128	681414	Screw, 10AB X 1/2
77	696302		Shield, Exhaust
	LIT3395308	Not Available	Instructions, Installation
"	LIT348772	Not Available	Literature Parts (Instructions, Multi-Venting)
"	LIT692257	Not Available	Sheet, Top Lock Instruction
"	LIT3397540		List, Service Parts
"	72017		Paint, Touch-Up
"	72107		Paint, Touch-Up
"	72110		Paint, Touch-Up 1/2 Oz.
"	350930		Paint, Pressurized Spray B
"	350956		Paint, Spray 13 Oz.
"	261890		Golden Harvest
"	350938		Paint, Pressurized Spray B
"	350941	Not Available	Leveler (Thinner)
"	799344		Paint, Touch-Up)
"	978883		Almond
"	261891	Not Available	Golden Harvest (Uncut)