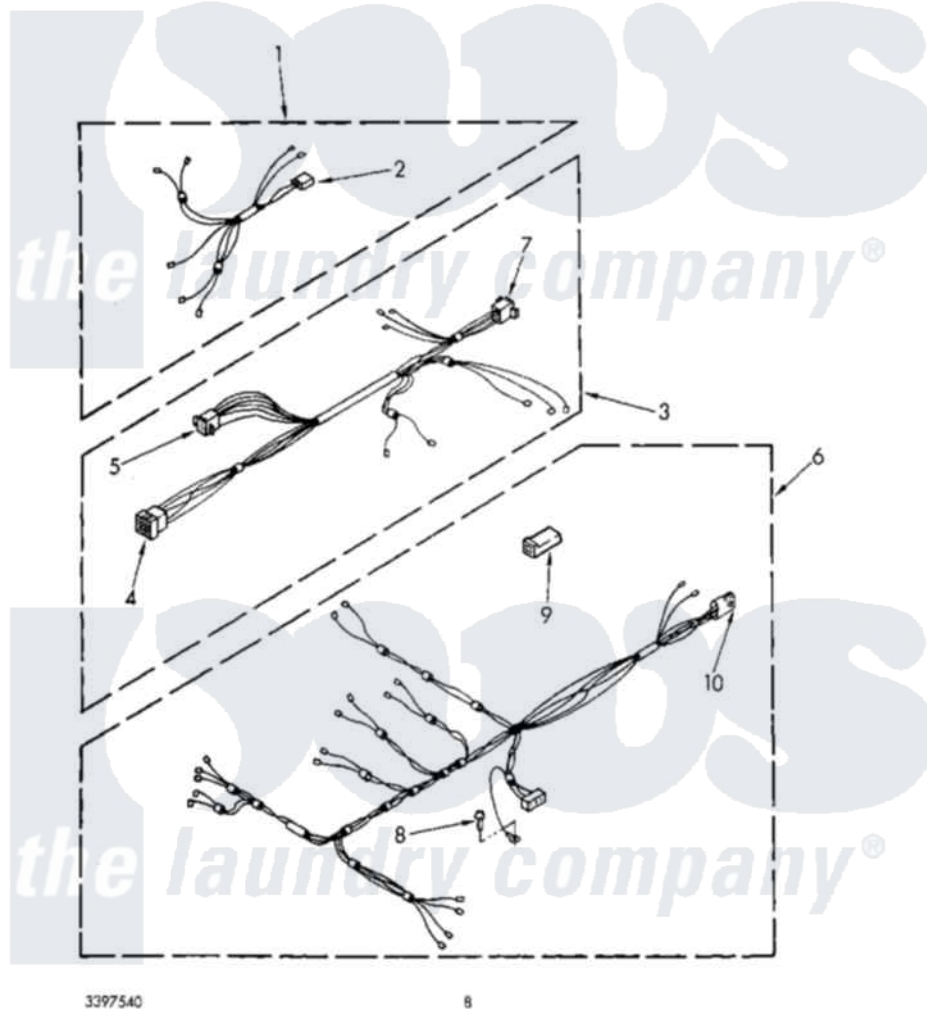


Whirlpool CE2950XYG0 05 - WIRING HARNESS

WIRING HARNESS PARTS

For Model: CE2950XYW0



3397540

8

Whirlpool [Commercial Whirlpool CE2950XYG0 Dryer Parts](#) Parts Diagram 05 - WIRING HARNESS

[Click on the part number to view part](#)

Item	Original Part Number	Replaced By	Status	Part Description
1	696193			Harness, Timer
2	717252			Receptacle, Terminal
3	3393807			+Harness, Wiring
4	342529			Cap, Terminal (6-Way) (Uses Terminal 94614)
5	717253			Receptacle
6	3393786		Not Available	+Harness, Wiring (Lower)
7	352457		Not Available	Plug, Terminal (6 Way) (Uses Terminal Below)
8	697776	4331106		Screw, No.10-32 X 7/16
9	3348310			Plug, Receptacle Housing
10	717315			Receptacle, 4-Way