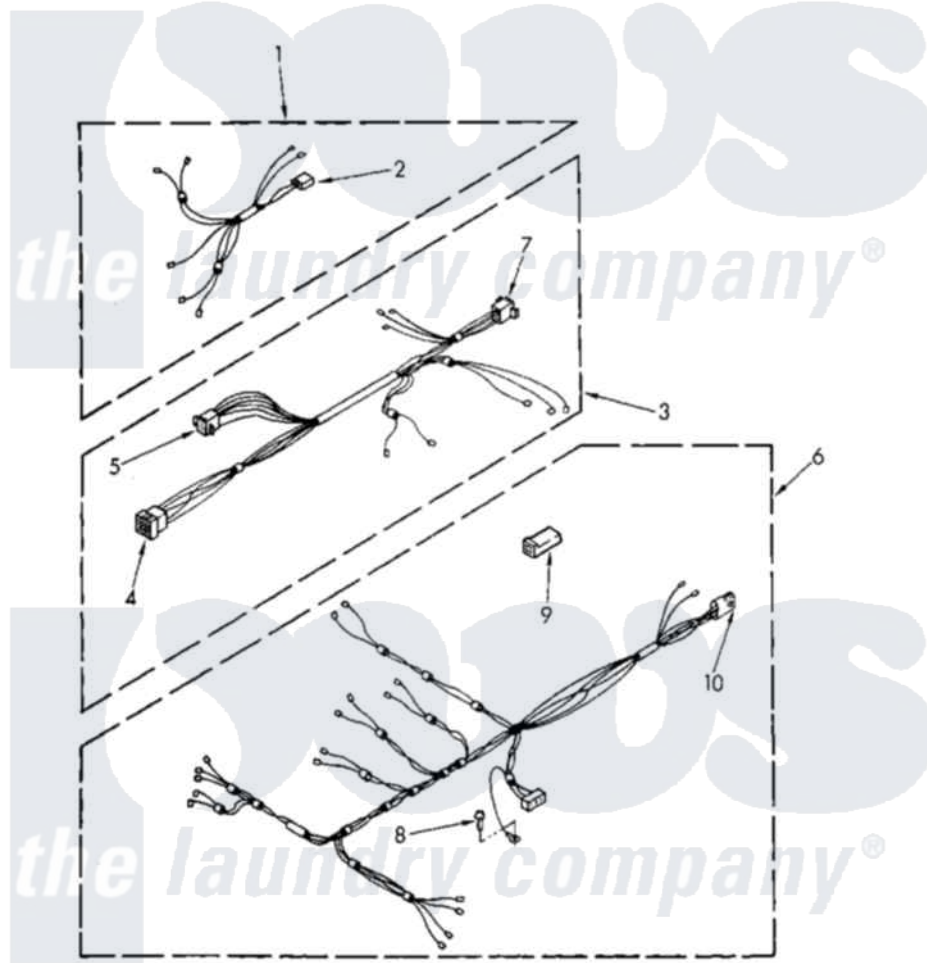


# Whirlpool CE2950XYW0 05 - WIRING HARNESS

## WIRING HARNESS PARTS

For Model: CE2950XYW0



3397540

8

Whirlpool [Commercial Whirlpool CE2950XYW0 Dryer Parts](#) Parts Diagram 05 - WIRING HARNESS

[Click on the part number to view part](#)

Item	Original Part Number	Replaced By	Status	Part Description
1	<a href="#">696193</a>			Harness, Timer
2	<a href="#">717252</a>			Receptacle, Terminal
3	<a href="#">3393807</a>			+Harness, Wiring
4	<a href="#">342529</a>			Cap, Terminal (6-Way) (Uses Terminal 94614)
5	<a href="#">717253</a>			Receptacle
6	3393786		Not Available	+Harness, Wiring (Lower)
7	352457		Not Available	Plug, Terminal (6 Way) (Uses Terminal Below)
8	697776	<a href="#">4331106</a>		Screw, No.10-32 X 7/16
9	<a href="#">3348310</a>			Plug, Receptacle Housing
10	<a href="#">717315</a>			Receptacle, 4-Way