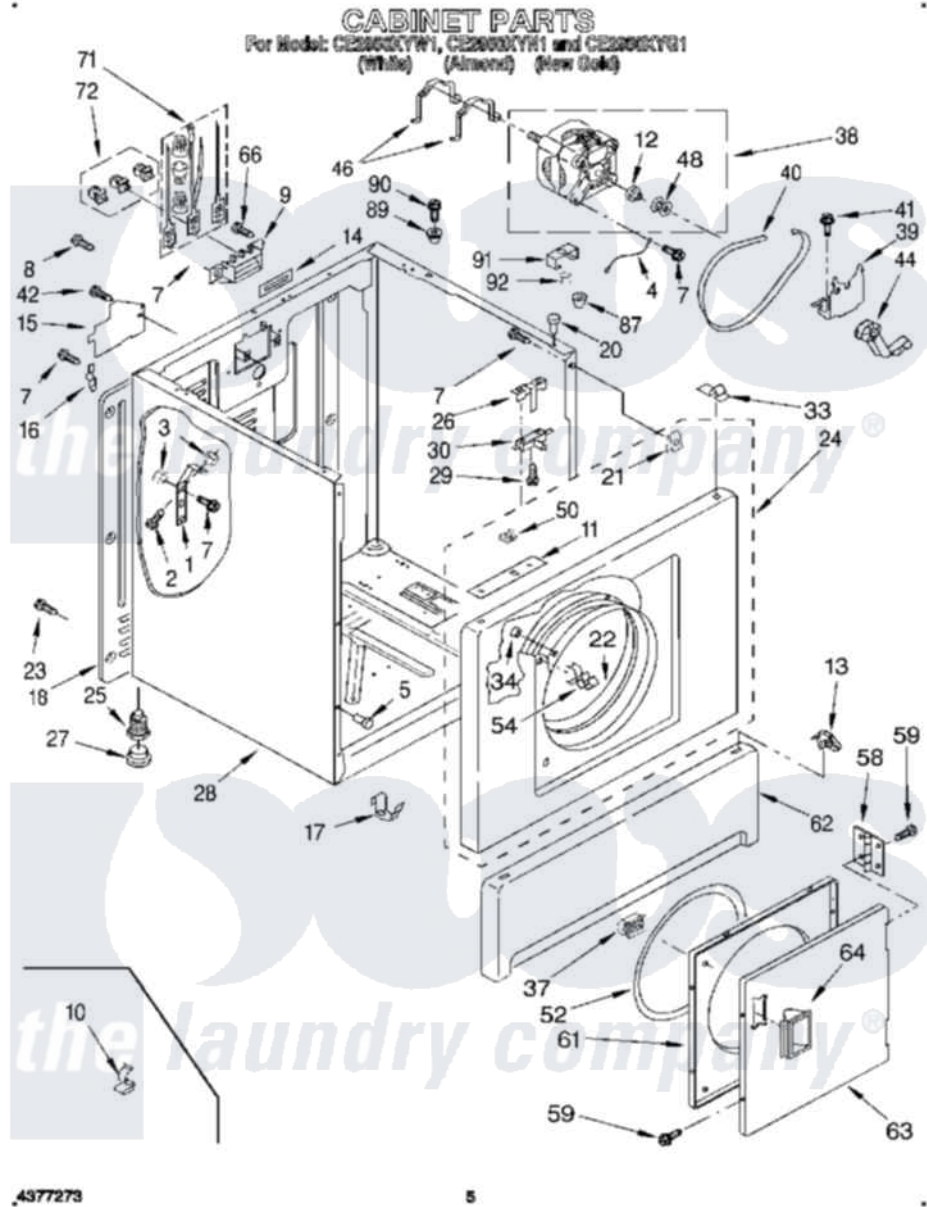


Whirlpool CE2950XYW1 03 - SECTION



Whirlpool Commercial Whirlpool CE2950XYW1 Dryer Parts Parts Diagram 03 - SECTION
Click on the part number to view part

Item	Original Part Number	Replaced By	Status	Part Description
1	688074			Bracket, Top Lock
2	354730			Bolt, 5/16-18 X 2 3/4
3	90984			Nut, 5/16-18
4	690236			Wire, Ground
5	238614			Bumper And Isolation
7	343641	681414		Screw, 10AB X 1/2
8	3393008	308685		Side Trim)
9	690261	279320		Block-Term
10	98997			Clip, Harness Follwoing Parts Optional Are Not Supplied On This Whirlpool Model. But Are Available For Purchase.
11	3357341			Bracket, Front Top Lock
12	3393657			Restrainer, Belt
13	3388229			Retainer, Toe Panel
14	18849			Pad, Top Hinge
15	3396795			Cover, Terminal Block

16	238088	8066217	Hinge, Top
17	297092		Clip
18	3396807	280040	Panel-Rear
20	98669		Lock, Front Top
21	98234		Clip, U-Bend
22	349462	279264	Air Channel Box
23	693994	489069	Xxscrew, 10-12 X 1/2
24	693980	280067	Panel
"	693981	280065	Panel
"	693984	280064	Panel
25	3392100	49621	Feet-Leveling
26	691581		Lever, Door Switch
27	3391943		Boot, Foot
"	279810		Foot-Optional
28	3399580		Cabinet Assembly
"	3399581	Not Available	Cabinet Assembly (Includes Illus. Nos. 5, 7, 16, 29, 41 & 57) (Almond)
"	3399584		Cabinet (Golden Harvest (Includes Illus. Nos. 15, 18, 25 and 39))
29	98129		Screw, 6-20 X 1 1/16
30	347207	279347	Switch-Lid
33	18776		Lock, Front Top
34	685203	279220	Clip
37	3389441		Door Catch Assembly
38	3395652	279827	Motor-Drve
39	348780		Base, Motor
40	660997	341241	Belt
41	172455	3400500	Bolt, 3405245 5/16-18 X 3/4
42	687128	681414	Screw, 10AB X 1/2
44	691366		Idler And Pulley Assembly
46	660658		Clamp, Motor Mounting 343481 685441
"	343481	660658	Clamp, Motor Mounting 343481 685441
"	685441	660658	Clamp, Motor Mounting 343481 685441
48	3389627	W10299847	Pulley-Motor
50	90406		Cage Nut, 5/16-18
52	3390734		Seal, Door
54	696144	279570	Latch
58	348023		Hinge And Pin Assembly
59	694091		Trim, Side Right Hand
61	695656	280077	Door
62	697095	Not Available	Panel, Toe (White)
"	697096	Not Available	Panel, Toe (Almond)
"	697097	279913	Toe Panel
63	348205		Door, Front
"	689314		Door, Front
"	689319		Door Front
64	686711		Handle, Door
"	689308		Handle, Door
"	689586		Handle, Door
66	697776	4331106	Screw, No.10-32 X 7/16

71	279318		Terminal Tinned And Brass Panel
72	279393		Terminal Block Screw Kit
87	356674		Cone, Wedge
89	356837		Locator, Top Lock
90	427190	Not Available	Screw, 1/4-20 x 7/8
91	271172	487939	Nut
92	90984		Nut, 5/16-18

