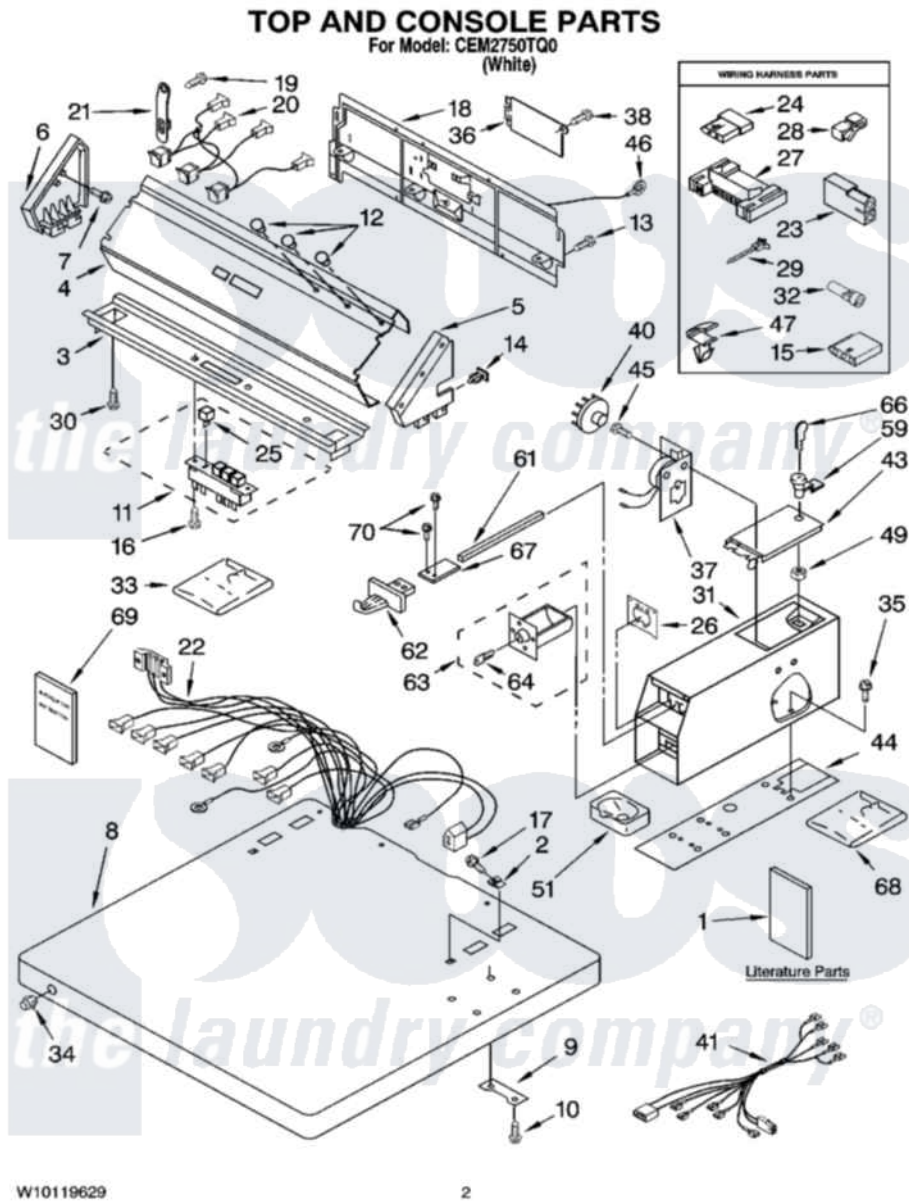


# Whirlpool CEM2750TQ0 01 - TOP AND CONSOLE PARTS



Whirlpool Commercial Whirlpool CEM2750TQ0 Dryer Parts Parts Diagram 01 - TOP AND CONSOLE PARTS  
Click on the part number to view part

| Item | Original Part Number      | Replaced By               | Status        | Part Description          |
|------|---------------------------|---------------------------|---------------|---------------------------|
| 1    | 8577208                   |                           | Not Available | Instructions Installation |
| "    | <a href="#">8576821</a>   |                           |               | Wiring Diagram            |
| "    | <a href="#">W10119629</a> |                           |               | Repair Parts List         |
| 2    | <a href="#">357213</a>    |                           |               | Nut, Push-In              |
| 3    | <a href="#">3361029</a>   |                           |               | Bracket, Control          |
| 4    | <a href="#">8316634</a>   |                           |               | Panel, Control            |
| 5    | 8316516                   | <a href="#">W10096340</a> |               | Cap, End                  |
| 6    | <a href="#">3949734</a>   | <a href="#">W10096320</a> |               | Cap, End                  |
| 7    | 97787                     | <a href="#">W10109200</a> |               | Screw, Baffle Mounting    |
| 8    | <a href="#">3954665</a>   |                           |               | Top                       |
| 9    | 3347825                   | <a href="#">3353813</a>   |               | Plate, Mounting           |
| 10   | <a href="#">98445</a>     |                           |               | Screw, 10-16 X 3/4        |
| 11   | <a href="#">8316437</a>   | <a href="#">W10330137</a> |               | Switch, Pushbutton        |
| 12   | <a href="#">3348109</a>   |                           |               | Lens Light                |
| 13   | <a href="#">693995</a>    |                           |               | Screw, Hex Head           |
| 14   | <a href="#">689559</a>    |                           |               | Nut, Push-In              |

|    |                           |                           |  |
|----|---------------------------|---------------------------|--|
| 15 | <a href="#">3936144</a>   |                           | Do-It-Yourself Repair Manuals  |
| 16 | 303921                    | <a href="#">489128</a>    | Screw, 8-32 X 27/64  |
| 17 | <a href="#">8281182</a>   |                           | Screw, 8-18 X 1 1/4  |
| 18 | <a href="#">3978608</a>   |                           | Panel, Rear  |
| 19 | 3390647                   | <a href="#">488729</a>    | Screw  |
| 20 | <a href="#">8316640</a>   |                           | Lights, Indicator Assembly   |
| 21 | 8318255                   | <a href="#">8568314</a>   | Strap, Console   |
| 22 | <a href="#">8576528</a>   |                           | Harness, Main  |
| 23 | <a href="#">717252</a>    |                           | Receptacle, Terminal   |
| 24 | <a href="#">717253</a>    |                           | Receptacle   |
| 25 | <a href="#">8316433</a>   |                           | Pushbutton   |
| 26 | 3954761                   | <a href="#">279950</a>    | Funnel   |
| 27 | <a href="#">3395683</a>   |                           | Receptacle, Multi-Terminal   |
| 28 | 357572                    | <a href="#">W10113937</a> | Clip, Grounding  |
| 29 | <a href="#">3391018</a>   |                           | Tie Cable  |
| 30 | 8533971                   | <a href="#">90767</a>     | Screw, 8A X 3/8 HeX Washer Head Tapping  |
| 31 | 8316527                   | <a href="#">3406994</a>   | Case, Meter  |
| 32 | <a href="#">351297</a>    |                           | Plug, Harness  |
| 33 | <a href="#">3954807</a>   |                           | Kit, Vertical 8-Coin Coin Mechanism Parts, May be Ordered From Whirlpool Or The Vend |
| 34 | <a href="#">387371</a>    |                           | Lock, Plug Also Available  |
| "  | <a href="#">358290</a>    |                           | Top Lock   |
| 35 | <a href="#">3349065</a>   |                           | Bolt, Meter Case Mounting  |
| 36 | <a href="#">8317342</a>   | <a href="#">W10119283</a> | Cover, Terminal Block  |
| 37 | <a href="#">W10045440</a> |                           | Timer  |
| 38 | 3390814                   | <a href="#">90767</a>     | Screw, 8A X 3/8 HeX Washer Head Tapping  |
| 40 | <a href="#">3387974</a>   |                           | Timing Cam   |
| "  | <a href="#">339855</a>    |                           | Timing Cam   |
| "  | <a href="#">343777</a>    |                           | Timing Cam   |
| "  | <a href="#">339854</a>    |                           | Timing Cam   |
| "  | <a href="#">339853</a>    |                           | Timing Cam   |
| 41 | <a href="#">3401682</a>   |                           | Harness, Timer   |
| 43 | <a href="#">3351136</a>   |                           | Service Door Assembly  |
| 44 | <a href="#">3954812</a>   |                           | Cushion, Meter Case  |
| 45 | <a href="#">339805</a>    |                           | Screw, 10-32 X 3/16  |
| 46 | 3398893                   | <a href="#">3395559</a>   | Wire   |
| 47 | <a href="#">3394427</a>   |                           | Clip-Harness   |
| 49 | <a href="#">90406</a>     |                           | Cage Nut, 5/16-18  |
| 51 | <a href="#">385421</a>    |                           | Funnel, Coin   |
| "  | 33001508                  | <a href="#">W10169313</a> | Switch-Dor   |
| 59 | 8316526                   | <a href="#">4396668</a>   | Lock-Cam   |
| 61 | 8318517                   | <a href="#">8576635</a>   | Bolt   |
| 62 | <a href="#">8316520</a>   |                           | Slide Mechanism Inserts  |
| "  | 8316264                   | <a href="#">4396666</a>   | Insert   |
| "  | 8316265                   | <a href="#">4396667</a>   | Insert   |
| 63 | 8316525                   | <a href="#">4396671</a>   | Box  |
| 64 | BLANK                     | Not Available             | Key (Money Box) (When Ordering, Specify Vendor and Key Number)                       |
| 66 | <a href="#">74010501</a>  |                           | Cover- Cov   |
| 67 | <a href="#">8316523</a>   |                           | Extension  |

