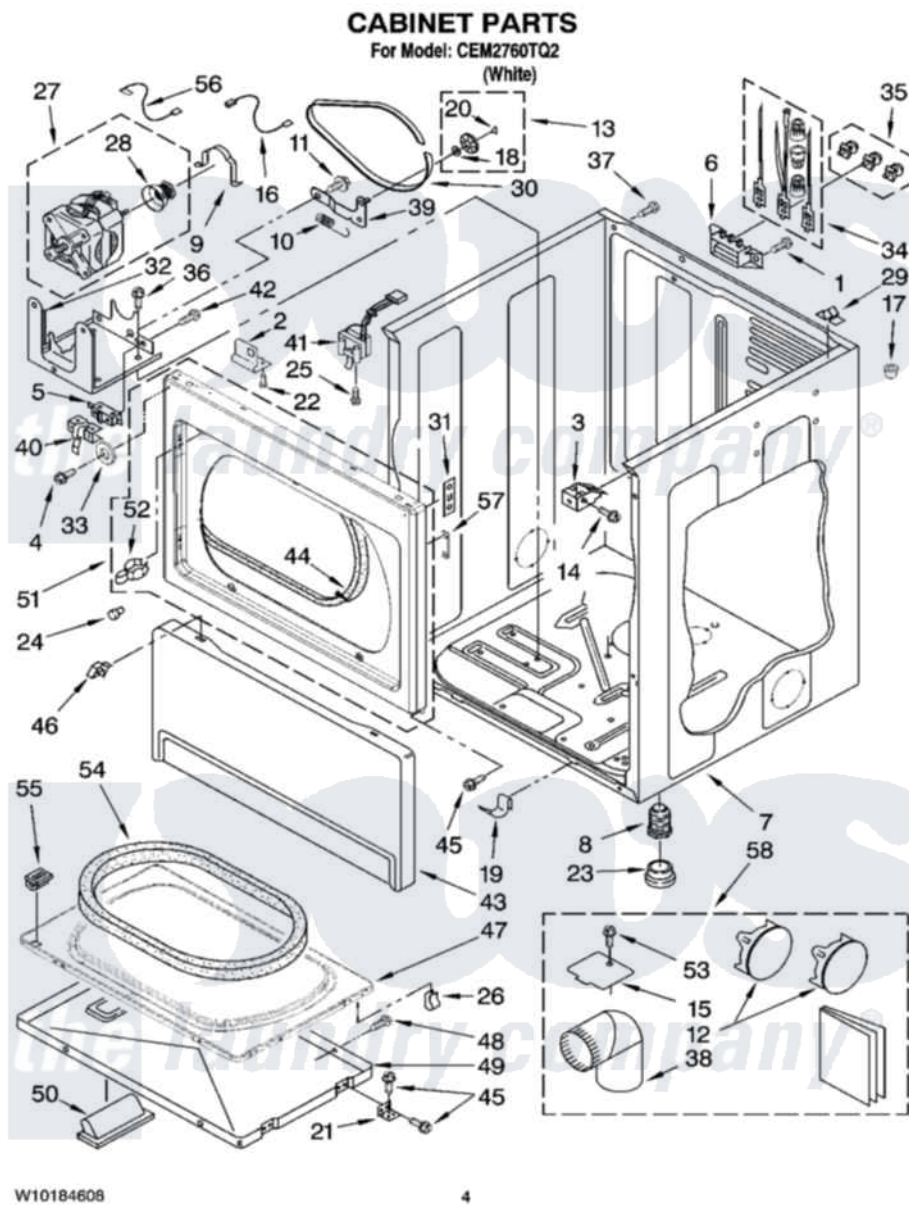


Whirlpool CEM2760TQ2 02 - CABINET PARTS



Whirlpool [Commercial Whirlpool CEM2760TQ2 Dryer Parts](#) Parts Diagram 02 - CABINET PARTS
Click on the part number to view part

Item	Original Part Number	Replaced By	Status	Part Description
1	3393008	308685		Side Trim)
2	3353948			Bracket, Lock
3	3391846			Clip, Front Panel
4	3390647	488729		Screw
5	3394881	279782		Switch-Lid
6	3397659			Block, Terminal
7	8310656			Cabinet
8	3392100	49621		Feet-Leveling
"	279810			Foot-Optional
9	660658			Clamp, Motor Mounting 343481 685441
10	3387374			Spring, Idler
11	3389420			Retainer-Idler 1/4-20 X 1/16
12	697750	W10470674		Dryer Exhaust Kit
13	3388672	279640		Pulley-ldr
14	3391915	681615		Screw
15	3394331			Plate Cover

16	W10167612		Wire, Broken Belt Switch
17	356674		Cone, Wedge
18	W10121334		Washer, Thrust
19	297092		Clip
20	690997		Washer, Thrust
21	3389247		Hinge And Pin Assembly
22	63554		Rivet
23	3391943		Boot, Foot
24	693152		Bumper, Console
25	697773	3395530	Screw
26	3389249		Nut, Inner Door
27	8538264	W10438970	Motor-Drve
28	8066184		Pulley, Motor
29	345670		Lock, Top
30	3387610	661570	Belt
31	3390902		Clip, Door Hinge
32	3387118		Bracket, Motor
33	3392186	4159590	Washer
34	279318		Terminal Tinned And Brass Panel
35	279393		Terminal Block Screw Kit
36	3390663	681414	Screw, 10AB X 1/2
37	8533974	4331106	Screw, No.10-32 X 7/16
38	279731	49026	4" - 90° Elbow
39	3388674	W10118756	Idler Bracket
40	8066120		Lever, Door Switch
41	3406109	3406107	Door Switch Assembly
42	98129		Screw, 6-20 X 1 1/16
43	697215	3406797	Toe Panel
44	3387242		Seal, Front Panel
45	342055	488627	Screw
46	3388229		Retainer, Toe Panel
47	3392563	280083	Door-Rear
48	694091		Trim, Side Right Hand
49	3387872		Door, Front
50	W10116360		Handle, Door
51	W10192882	W10242810	Panel
52	696144	279570	Latch
53	693995		Screw, Hex Head
54	3390735		Seal, Door
55	3392538	279570	Latch
56	3398948		Wire, Jumper
57	W10191265		Plug, Hinge Screw Front Panel
"	BLANK	Not Available	Optional Parts Not Included
58	279818	W10470674	Dryer Exhaust Kit