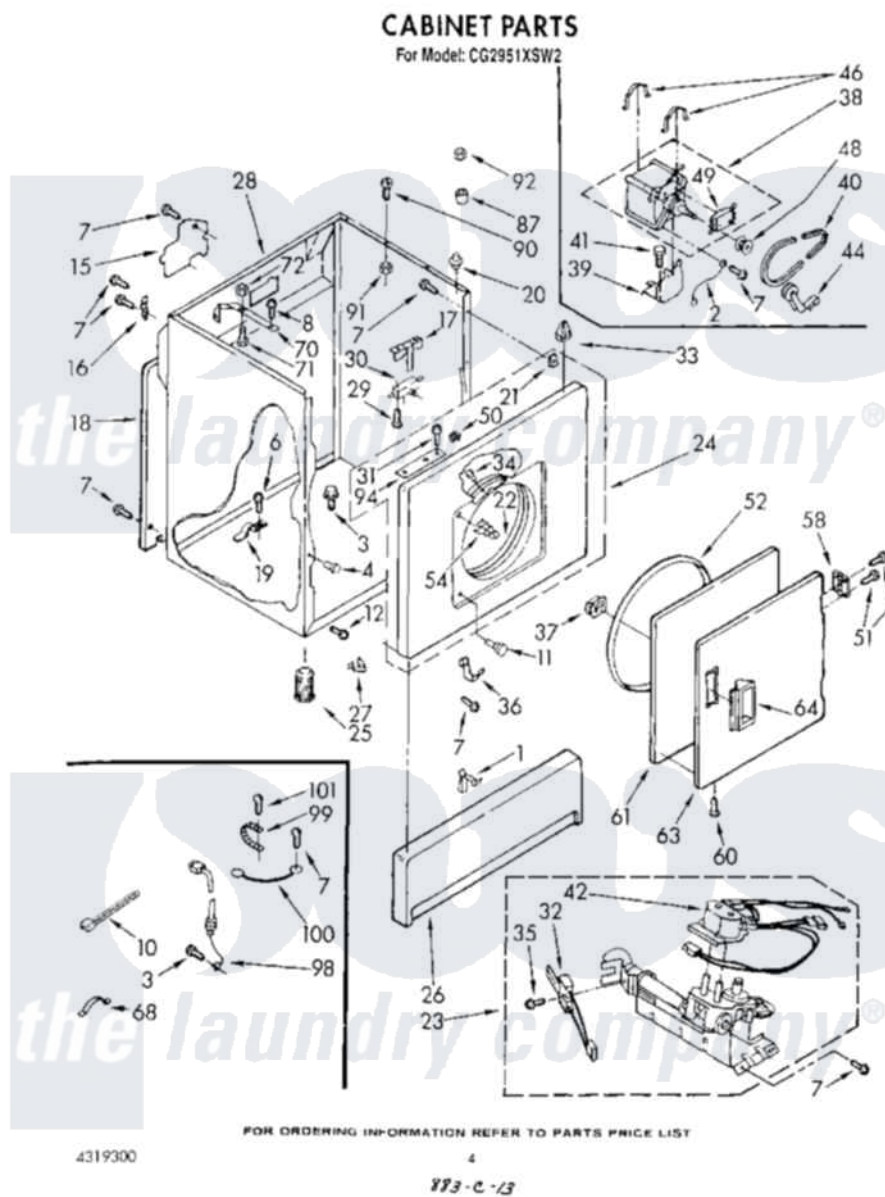


Whirlpool CG2951XSW2 03 - CABINET



Whirlpool [Commercial Whirlpool CG2951XSW2 Dryer Parts](#) Parts Diagram 03 - CABINET
Click on the part number to view part

Item	Original Part Number	Replaced By	Status	Part Description
1	341776			Clip, Toe Panel
2	690236			Wire, Ground
3	690989	681414		Screw, 10AB X 1/2
4	238614			Bumper And Isolation
6	687128	681414		Screw, 10AB X 1/2
7	343641	681414		Screw, 10AB X 1/2
8	4319319	489128		Screw, 8-32 X 27/64
10	4319321	W10339879		Tie, Cable
11	238614			Bumper And Isolation
12	4319344	681414		Screw, 10AB X 1/2
15	690893	3396795		Cover, Terminal Block
16	238088	8066217		Hinge, Top
17	295998	691581		Lever, Door Switch
18	4319345		Not Available	Panel, Rear
19	341029			Clamp, Pipe Door Spring
20	98669			Lock, Front Top

"	356837		Locator, Top Lock
21	98234		Clip, U-Bend
22	349462	279264	Air Channel Box
23	694670	W10492502	Burner-Gas
24	4319325	280067	Panel
"	4319332	280065	Panel
25	4319350	49621	Feet-Leveling
26	4319342		Not Available Panel, Toe (White)
"	4319343		Not Available Panel, Toe (Almond)
27	342601	279638	Clip
28	4319301	3399580	Cabinet Assembly
"	4319302		Not Available Cabinet (Almond)
29	98129		Screw, 6-20 X 1 1/16
30	4319330	279347	Switch-Lid
31	4319331	965173	Screw, 8 X 3/8 Phlps. Round Hd.
32	660991	279311	Ignitor
33	690363	18776	Lock, Front Top
34	685203	279220	Clip
35	686953	3393909	Screw, 8-32 X 7/8
36	297092		Clip
37	3389441		Door Catch Assembly
38	3391888	279827	Motor-Drve
39	348780		Base, Motor
40	660997	341241	Belt
41	4319309	3400500	Bolt, 3405245 5/16-18 X 3/4
42	694054	279923	NAT Gas
44	691366		Idler And Pulley Assembly
46	4319313	660658	Clamp, Motor Mounting 343481 685441
48	694871	W10299847	Pulley-Motor
49	337351	3388235	Switch, Centrifugal
50	90406		Cage Nut, 5/16-18
51	694091		Trim, Side Right Hand
52	685763	3390734	Seal, Door
54	696144	279570	Latch
58	4319328	348023	Hinge And Pin Assembly
60	694091		Trim, Side Right Hand
61	4319326		Door, Rear
63	4319327		Door, Front
"	4319333		Door, Front
64	4319329	3405184	Handle, Door
"	4319334	3405185	Handle, Door
68	98997		Clip, Harness Followoing Parts Optional Are Not Supplied On This Whirlpool Model. But Are Available For Purchase.
70	688022	688074	Bracket, Top Lock
71	354730		Bolt, 5/16-18 X 2 3/4
72	90984		Nut, 5/16-18
87	356674		Cone, Wedge
90	4319311	3400500	Bolt, 3405245 5/16-18 X 3/4
91	4319312	487939	Nut
92	90984		Nut, 5/16-18
94	688021	3357341	Bracket, Front Top Lock

98	344020	3401402	Cord, Power
99	22965		Strap, Grounding
100	364089	303485	Wire, Ground
101	132848	3400036	Screw, 10-24 X 1

