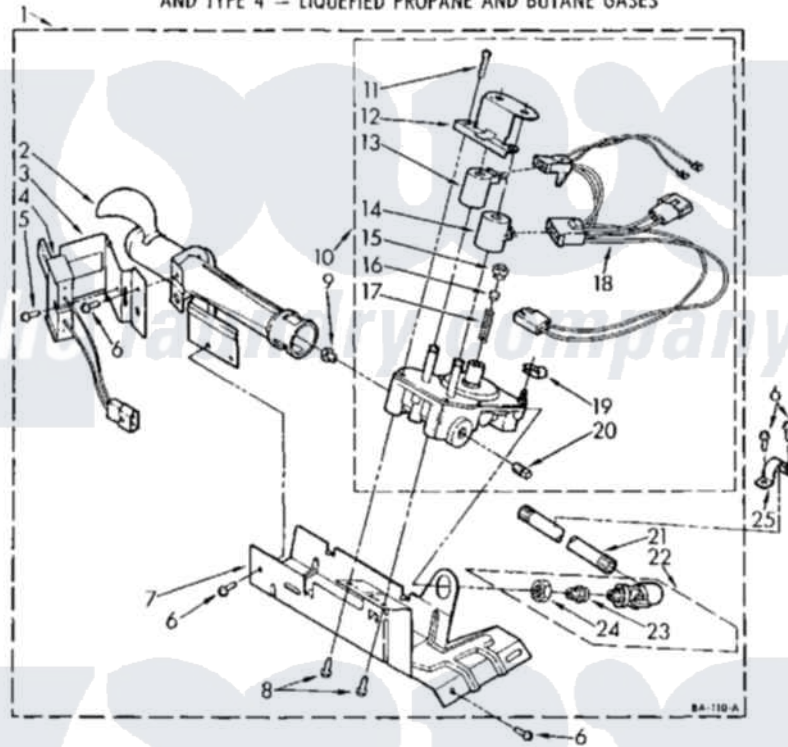


Whirlpool CG2951XSW3 05 - 694670 BURNER ASSEMBLY

694670 BURNER ASSEMBLY

For Model: CG2951XSW3

USE WITH TYPE 1 - NATURAL, TYPE 2 - MIXED, TYPE 3 - MANUFACTURED
AND TYPE 4 - LIQUEFIED PROPANE AND BUTANE GASES



3393833

8

Whirlpool [Commercial Whirlpool CG2951XSW3 Dryer Parts](#) Parts Diagram 05 - 694670 BURNER ASSEMBLY
Click on the part number to view part

Item	Original Part Number	Replaced By	Status	Part Description
1	694670	W10492502		Burner-Gas
2	688617	693140		Burner
3	694298			Bracket, Ignitor
4	660991	279311		Ignitor
"	686590	279311		Ignitor
5	686953	3393909		Screw, 8-32 X 7/8
6	343641	681414		Screw, 10AB X 1/2
7	693986			Base, Burner
8	339527	90767		Screw, 8A X 3/8 HeX Washer Head Tapping
9	234826			Orifice, Burner Type 1
"	15775	72017		Paint, Touch-Up
"	15419		Not Available	Orifice, Burner (Type 3)
"	229742			Orifice, Burner
"	234868			Orifice, Burner
10	694054	279923		NAT Gas
11	694421			Screw, Bracket Mounting

12	694538		Bracket, Shunt
13	694540		Coil, 60 Hz
14	694539		Coil, 60 Hz
15	694424		Leak, Limiter
16	694423		Screw, Regulator Adjustment
17	694422		Spring, Regulator
18	694426	3401850	Harness-Gas
19	694510	Not Available	Clip, Harness
20	239822	W10295523	Plug, Pipe
21	233273	Not Available	Pipe, Gas Supply
22	345062		Valve
23	233077	3393767	Pipe, Tail
24	233076		Nut, Compression
25	341029		Clamp, Pipe Door Spring
"	279243		Conversion Kit Type 1 (Natural) To Type 3 (Manufactured)
"	694572	49572A	Conversion Kit To Type L.p.g.f

