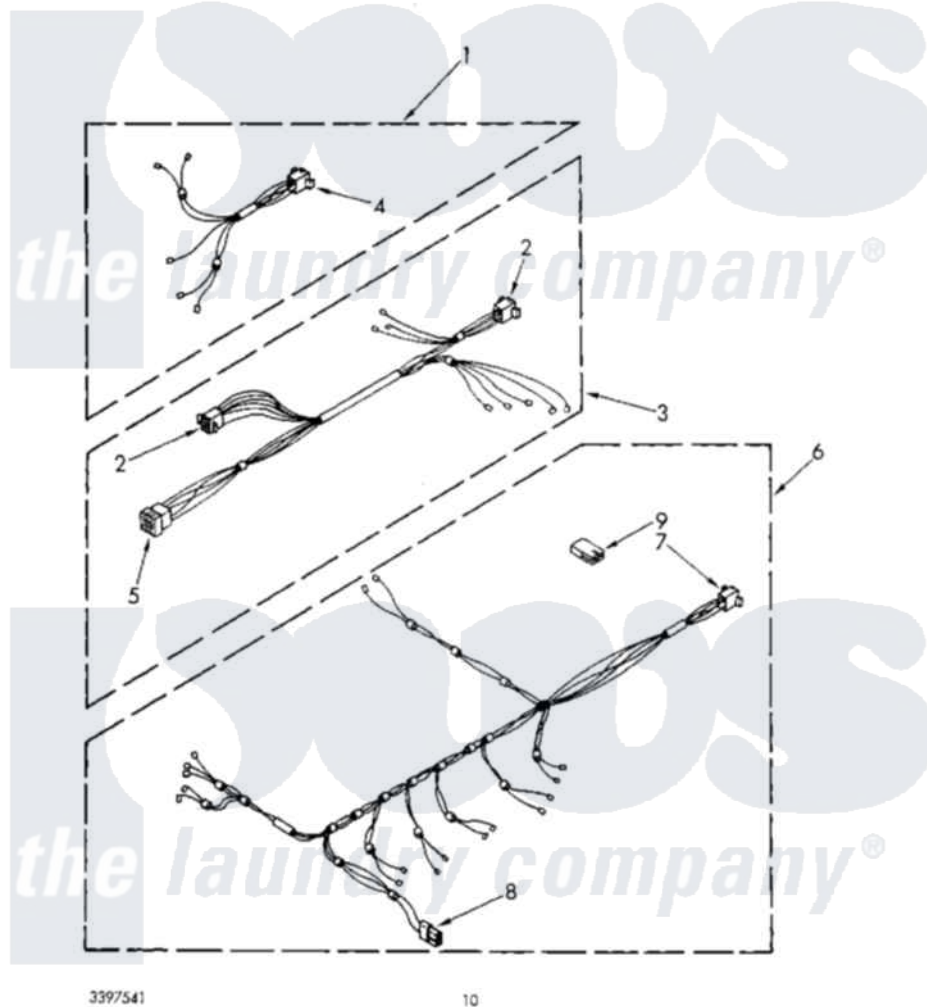


Whirlpool CG2951XYG0 06 - WIRING HARNESS

WIRING HARNESS PARTS

For Model: CG2951XYW0



Whirlpool [Commercial Whirlpool CG2951XYG0 Dryer Parts](#) Parts Diagram 06 - WIRING HARNESS
 Click on the part number to view part

Item	Original Part Number	Replaced By	Status	Part Description
1	3388350			Harness, Timer
2	352457		Not Available	Plug, Terminal (6 Way) (Uses Terminal Below)
3	3393806			+Harness, Wiring
4	352458		Not Available	Cap, Terminal (6-Way) (Uses Terminal 94614)
5	94612			Cap, Terminal
6	3393799			+Harness, Wiring
7	355410		Not Available	Plug, Terminal (Uses Terminal 94614)
8	691707			Receptacle, 3-Way
9	717252			Receptacle, Terminal