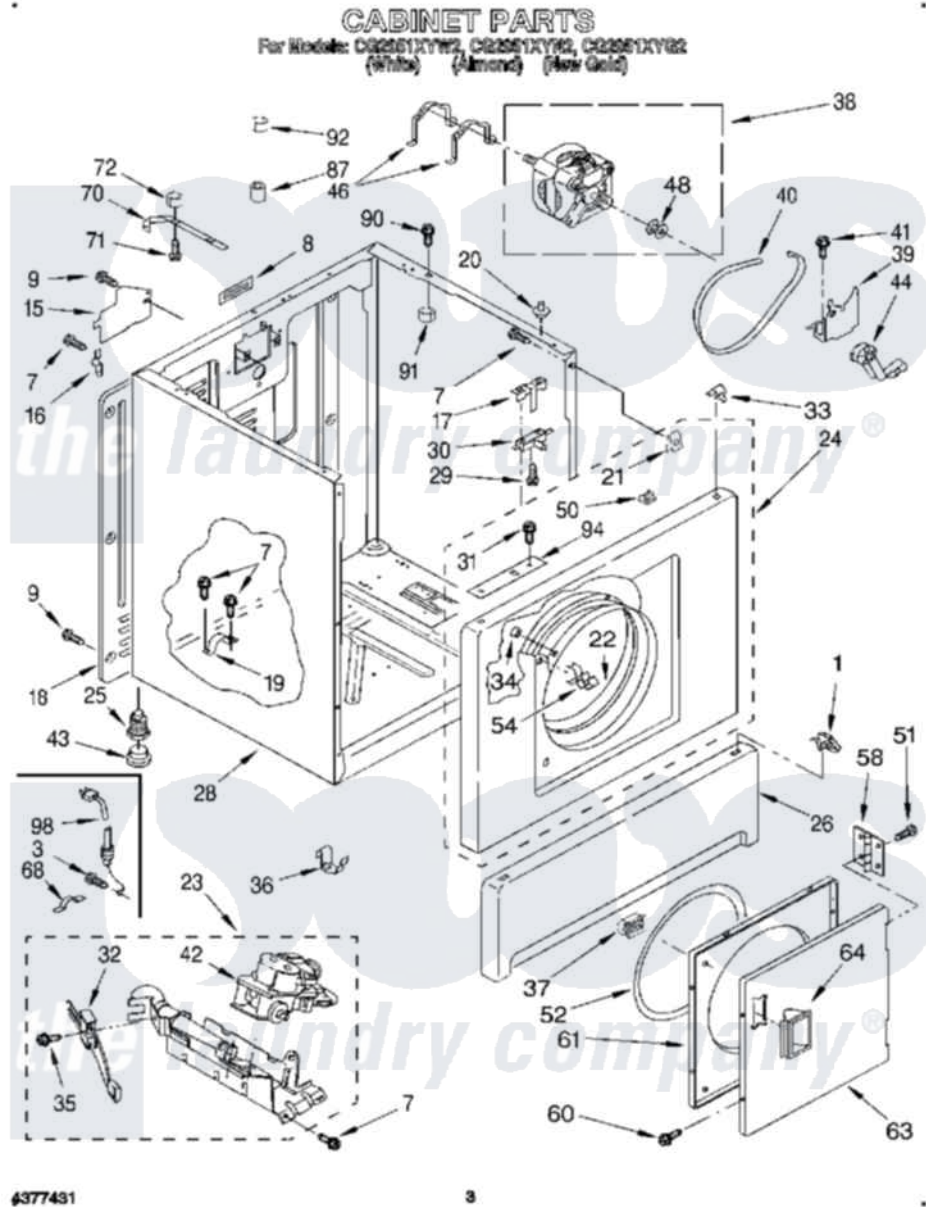


Whirlpool CG2951XYW2 02 - CABINET



4377431

3

Whirlpool Commercial Whirlpool CG2951XYW2 Dryer Parts Parts Diagram 02 - CABINET
Click on the part number to view part

Item	Original Part Number	Replaced By	Status	Part Description
1	3388229			Retainer, Toe Panel
3	697776	4331106		Screw, No.10-32 X 7/16
7	343641	681414		Screw, 10AB X 1/2
8	18849			Pad, Top Hinge
9	693995			Screw, Hex Head
15	3396795			Cover, Terminal Block
16	238088	8066217		Hinge, Top
17	691581			Lever, Door Switch
18	3396807	280040		Panel-Rear
19	341029			Clamp, Pipe Door Spring
20	98669			Lock, Front Top
"	356837			Locator, Top Lock
21	98234			Clip, U-Bend
22	349462	279264		Air Channel Box
23	3401771	W10492502		Burner-Gas
24	693980	280067		Panel

"	693984	280064	Panel
"	693981	280065	Panel
25	3392100	49621	Feet-Leveling
"	279810		Foot-Optional
26	697095		Not Available
			Panel, Toe (White)
"	697097	279913	Toe Panel
"	697096		Not Available
			Panel, Toe (Almond)
28	3399580		Cabinet Assembly
"	3399581		Not Available
			Cabinet Assembly (Includes Illus. Nos. 5, 7, 16, 29, 41 & 57) (Almond)
"	3399584		Cabinet (Golden Harvest (Includes Illus. Nos. 15, 18, 25 and 39))
29	98129		Screw, 6-20 X 1 1/16
30	347207	279347	Switch-Lid
31	90767		Screw, 8A X 3/8 HeX Washer Head Tapping
32	660991	279311	Ignitor
"	686590	279311	Ignitor
33	18776		Lock, Front Top
34	685203	279220	Clip
35	3393909		Screw, 8-32 X 7/8
36	297092		Clip
37	3389441		Door Catch Assembly
38	3395652	279827	Motor-Drive
39	348780		Base, Motor
40	660997	341241	Belt
41	172455	3400500	Bolt, 3405245 5/16-18 X 3/4
42	3401775	279923	NAT Gas
43	3391943		Boot, Foot
44	691366		Idler And Pulley Assembly
46	660658		Clamp, Motor Mounting 343481 685441
"	343481	660658	Clamp, Motor Mounting 343481 685441
"	685441	660658	Clamp, Motor Mounting 343481 685441
48	3401143	W10299847	Pulley-Motor
50	90406		Cage Nut, 5/16-18
51	694091		Trim, Side Right Hand
52	3390734		Seal, Door
54	696144	279570	Latch
58	348023		Hinge And Pin Assembly
60	694091		Trim, Side Right Hand
61	695656	280077	Door
63	348205		Door, Front
"	689319		Door Front
"	689314		Door, Front
64	686711		Handle, Door
"	689586		Handle, Door
"	689308		Handle, Door
68	98997		Clip, Harness Following Parts Optional Are Not Supplied On This Whirlpool Model. But Are Available For Purchase.
70	688074		Bracket, Top Lock

71	354730		Bolt, 5/16-18 X 2 3/4
72	90984		Nut, 5/16-18
87	356674		Cone, Wedge
90	427190	Not Available	Screw, 1/4-20 x 7/8
91	271172	487939	Nut
92	90984		Nut, 5/16-18
94	3357341		Bracket, Front Top Lock
98	3401402		Cord, Power

