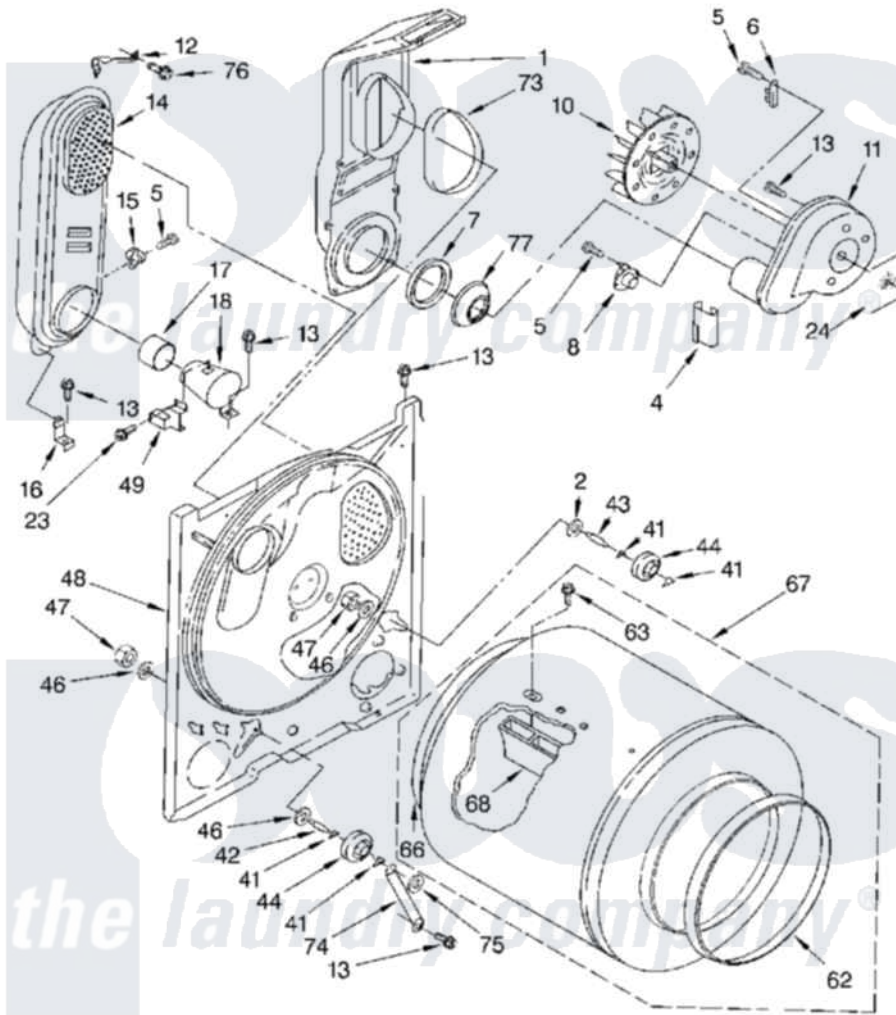


Whirlpool CG2951XYW3 03 - BULKHEAD, LIT/OPTIONAL

BULKHEAD PARTS

For Models: CG2951XYW3, CG2951XYW3, CG2951XYW3
(White) (Almond) (New Grk)



A377861

5

Whirlpool [Commercial Whirlpool CG2951XYW3 Dryer Parts](#) Parts Diagram 03 - BULKHEAD, LIT/OPTIONAL
Click on the part number to view part

Item	Original Part Number	Replaced By	Status	Part Description
1	694283	279505		Chute
2	3388703			Washer, Support
4	3392247	686889		Pad
5	90767			Screw, 8A X 3/8 Hex Washer Head Tapping
6	3392519			Thermal Limiter
7	347139			Seal, Lint Chute
8	3387134			Thermostat, Internal-Bias
10	694089			Wheel, Blower
11	3405016	8577230		Housing, Blower
12	3398161	279771		CLIP
13	343641	681414		Screw, 10AB X 1/2
14	685458	279900		Box
15	3403140			Thermostat, High-Limit 205F
16	337445		Not Available	Support, Heater Box (2)
17	337450	279900		Box
18	347389	279900		Box

23	339554	3390631	Screw, 10-16 X 3/8
24	3392123	3394196	Seal, Blower Shaft
41	690997		Washer, Thrust
42	3399506	W10359270	Shaft, Drum Roller Threads
43	3399507	W10359269	Shaft, Drum Roller Threads
44	3397588	349241T	Support
46	348197		Washer, Support
47	3359452		Nut, Lock
48	3397260	279793	Bulkhead
49	338906		Radiant, Sensor
62	3394508		Ring, Bearing
63	97787	W10109200	Screw, Baffle Mounting
66	337449	239087	Seal
67	3396776	3396775	Drum Assembly
68	342847		Baffle, Drum
73	339956		Seal, Air Duct To Bulkhead
74	348945	3976435	Bracket, Support
75	90296		Nut, Push On
76	3400800	489463	Screw, 8-18 X 1/16
77	696302		Shield, Exhaust
	LIT3395308	Not Available	Instructions, Installation
"	LIT348772	Not Available	Literature Parts (Instructions, Multi-Venting)
"	LIT692257	Not Available	Sheet, Top Lock Instruction
"	LIT3401137	Not Available	Label, Wiring Diagram
"	72017		Paint, Touch-Up
"	72107		Paint, Touch-Up
"	72110		Paint, Touch-Up 1/2 Oz.
"	350930		Paint, Pressurized Spray B
"	350956		Paint, Spray 13 Oz.
"	261890		Golden Harvest
"	350938		Paint, Pressurized Spray B
"	799344		Paint, Touch-Up)
"	978883		Almond
"	261891	Not Available	Golden Harvest (Uncut)

