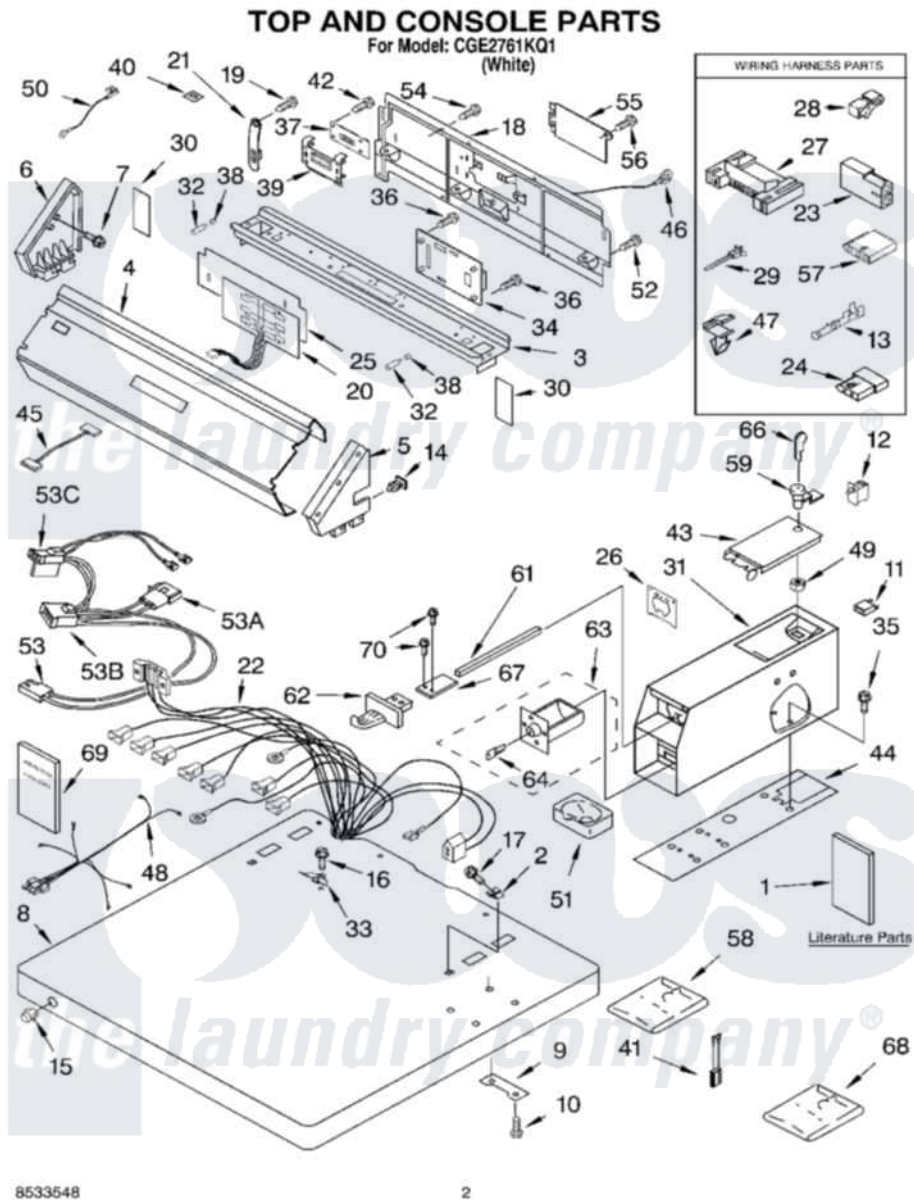


# Whirlpool CGE2761KQ1 01 - TOP AND CONSOLE PARTS



Whirlpool [Commercial Whirlpool CGE2761KQ1 Dryer Parts](#) Parts Diagram 01 - TOP AND CONSOLE PARTS  
Click on the part number to view part

Item	Original Part Number	Replaced By	Status	Part Description
1	LIT8527809		Not Available	Literature Parts (Instructions, Installation)
"	LIT8527854		Not Available	Literature Parts (Wiring Diagram)
"	LIT8527808		Not Available	Literature Parts (Tech Sheet)
"	LIT8533548		Not Available	Literature Parts (Repair Parts List)
2	<a href="#">357213</a>			Nut, Push-In
3	<a href="#">3978858</a>			Bracket, Control
4	<a href="#">8527823</a>			Panel, Control
5	8316516	<a href="#">W10096340</a>		Cap, End
6	<a href="#">3949734</a>	<a href="#">W10096320</a>		Cap, End
7	97787	<a href="#">W10109200</a>		Screw, Baffle Mounting
8	<a href="#">3954665</a>			Top
9	3347825	<a href="#">3353813</a>		Plate, Mounting
10	<a href="#">98445</a>			Screw, 10-16 X 3/4
11	<a href="#">3402784</a>			Switch, Service Diagnostic

12	3406406	<a href="#">3952030</a>	Switch, Vault
13	<a href="#">94614</a>		Terminal
14	<a href="#">689559</a>		Nut, Push-In
15	<a href="#">387371</a>		Lock, Plug Also Available
"	<a href="#">358290</a>		Top Lock
16	3393918	<a href="#">355214</a>	Screw And Washer
17	<a href="#">8281182</a>		Screw, 8-18 X 1 1/4
18	<a href="#">3978608</a>		Panel, Rear
19	3390647	<a href="#">488729</a>	Screw
20	<a href="#">3407171</a>		Switch, Membrane
21	8318255	<a href="#">8568314</a>	Strap, Console
22	<a href="#">8529871</a>		Harness, Main
23	<a href="#">717252</a>		Receptacle, Terminal
24	<a href="#">717253</a>		Receptacle
25	<a href="#">3950773</a>		Backer Plate
26	3954761	<a href="#">279950</a>	Funnel
27	<a href="#">3395683</a>		Receptacle, Multi-Terminal
28	357572	<a href="#">W10113937</a>	Clip, Grounding
29	<a href="#">3391018</a>		Tie Cable
30	<a href="#">3950775</a>		Backer Plate, Side
31	<a href="#">3406994</a>		Case, Meter
32	3950774	<a href="#">3950773</a>	Backer Plate
33	<a href="#">3355753</a>		Clip, Static Ground
34	<a href="#">3407165</a>		Control Board
35	<a href="#">3349065</a>		Bolt, Meter Case Mounting
36	<a href="#">3393909</a>		Screw, 8-32 X 7/8
37	<a href="#">3407166</a>		Board, Display
38	<a href="#">3951768</a>		Cap, Mounting Stud
39	<a href="#">3406980</a>		Lens, Display
40	<a href="#">3363338</a>		Clip
41	<a href="#">3406196</a>		A.c. Line Filter
42	<a href="#">90767</a>		Screw, 8A X 3/8 HeX Washer Head Tapping
43	<a href="#">3351136</a>		Service Door Assembly
44	<a href="#">3954812</a>		Cushion, Meter Case
45	<a href="#">3955147</a>		Harness Wire
46	3398893	<a href="#">3395559</a>	Wire
47	<a href="#">3394427</a>		Clip-Harness
48	<a href="#">3955145</a>		Harness Wire
49	<a href="#">90406</a>		Cage Nut, 5/16-18
50	<a href="#">3401706</a>		Wire, Ground
51	<a href="#">385421</a>		Funnel, Coin
52	90864	<a href="#">3351614</a>	Screw, Gearcase Cover Mounting
53	<a href="#">3401850</a>		Harness-Gas
"	<a href="#">697779</a>		Plug, 3-Way
"	<a href="#">3403498</a>		Connector, 3-Position
"	<a href="#">3403499</a>		Connector, 2-Postion
54	<a href="#">693995</a>		Screw, Hex Head
55	<a href="#">8317340</a>		Cover, Terminal Block
56	3390814	<a href="#">90767</a>	Screw, 8A X 3/8 HeX Washer Head Tapping
57	<a href="#">3936144</a>		Do-It-Yourself Repair Manuals Kit, Vertical 8-Coin Coin

58	<a href="#">3954807</a>		Mechanism Parts, May be Ordered From Whirlpool Or The Vend
59	8316526	<a href="#">4396668</a>	Lock-Cam
61	8318517	<a href="#">8576635</a>	Bolt
62	<a href="#">8316520</a>		Slide Mechanism Inserts
"	8316264	<a href="#">4396666</a>	Insert
"	8316265	<a href="#">4396667</a>	Insert
63	8316525	<a href="#">4396671</a>	Box
64	BLANK	Not Available	Key (Money Box) (When Ordering, Specify Vendor and Key Number)
66	BLANK	Not Available	Key (Service Door) (When Ordering, Specify Vendor and Key Number)
67	<a href="#">8316523</a>		Extension
68	8316524	<a href="#">4396670</a>	Kit
69	<a href="#">8316532</a>		Installation Instructions Coin Kit
70	<a href="#">3400086</a>		Screw, 10-32 X 3/8
"	B0592401	Not Available	THERMOSTAT
"	C4889201	Not Available	LINE- SUCT

