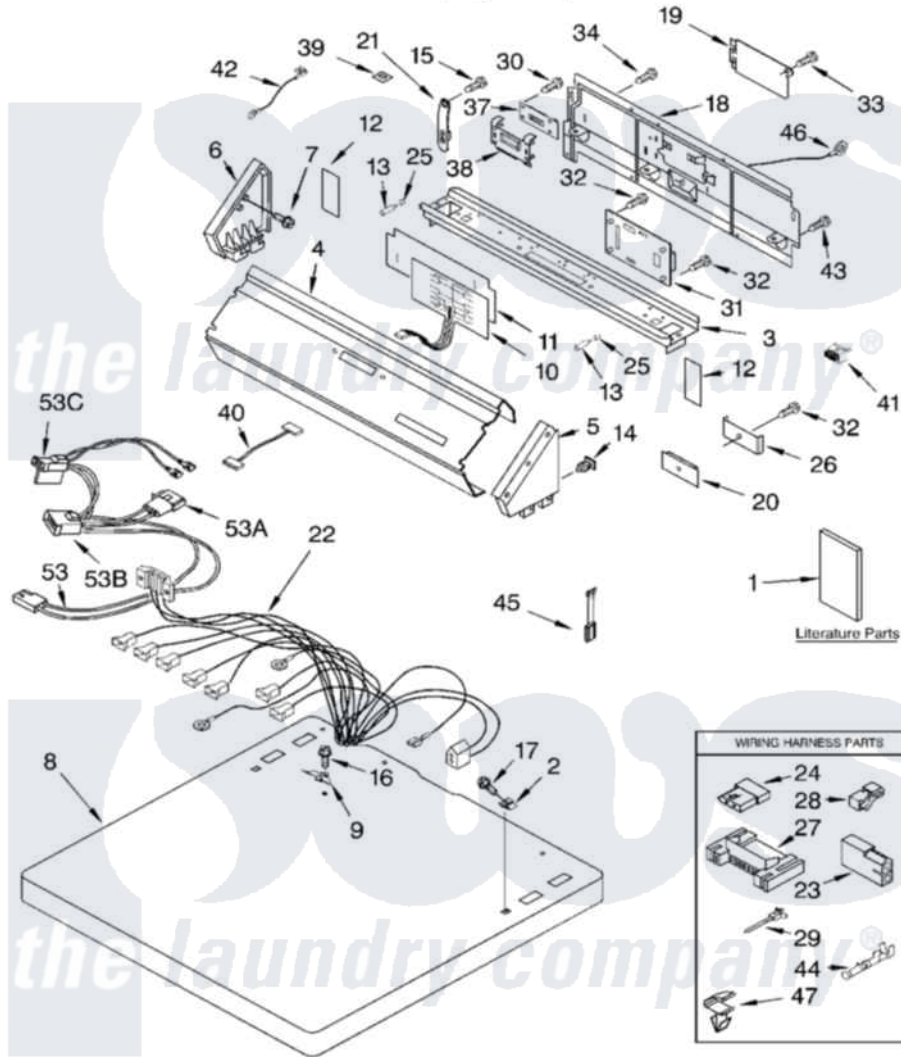


Whirlpool CGE2791KQ0 02 - TOP AND CONSOLE, LITERATURE

TOP AND CONSOLE PARTS

For Model: CGE2791KQ0
(Designer White)



8527806

2

Whirlpool [Commercial Whirlpool CGE2791KQ0 Dryer Parts](#) Parts Diagram 02 - TOP AND CONSOLE, LITERATURE
Click on the part number to view part

Item	Original Part Number	Replaced By	Status	Part Description
1	LIT8527810		Not Available	Literature Parts (Instructions, Installation)
"	LIT8527859		Not Available	Literature Parts (Wiring Diagram)
"	LIT8527811		Not Available	Literature Parts (Tech Sheet)
"	LIT8527806		Not Available	Literature Parts (Repair Parts List)
2	357213			Nut, Push-In
3	3978881			Bracket, Control
4	8527821		Not Available	Panel, Control
5	3949737			Cap, End
6	3949734	W10096320		Cap, End
7	97787	W10109200		Screw, Baffle Mounting
8	3978884			Top
9	3355753			Clip, Static Ground
10	3407171			Switch, Membrane
11	3950773			Backer Plate

12	3950775		Backer Plate, Side
13	3950774	3950773	Backer Plate
14	689559		Nut, Push-In
15	3390647	488729	Screw
16	3393918	355214	Screw And Washer
17	8281182		Screw, 8-18 X 1 1/4
18	8317305	285909	Panel-Rear
19	8317340		Cover, Terminal Block
20	3955405		Plug, Panel
21	8318255	8568314	Strap, Console
22	8283176		Harness, Main
23	717252		Receptacle, Terminal
24	717253		Receptacle
25	3951768		Cap, Mounting Stud
26	3955406		Plug, Retainer
27	3395683		Receptacle, Multi-Terminal
28	357572	W10113937	Clip, Grounding
29	3391018		Tie Cable
30	90767		Screw, 8A X 3/8 HeX Washer Head Tapping
31	3407165		Control Board
32	3393909		Screw, 8-32 X 7/8
33	3390814	90767	Screw, 8A X 3/8 HeX Washer Head Tapping
34	693995		Screw, Hex Head
37	3407166		Board, Display
38	3406980		Lens, Display
39	3363338		Clip
40	3955147		Harness Wire
41	3955146		Harness Jumper
42	3401706		Wire, Ground
43	90864	3351614	Screw, Gearcase Cover Mounting
44	94614		Terminal
45	3406196		A.c. Line Filter
46	3398893	3395559	Wire
47	3394427		Clip-Harness
53	3401850		Harness-Gas
"	697779		Plug, 3-Way
"	3403498		Connector, 3-Position
"	3403499		Connector, 2-Postion