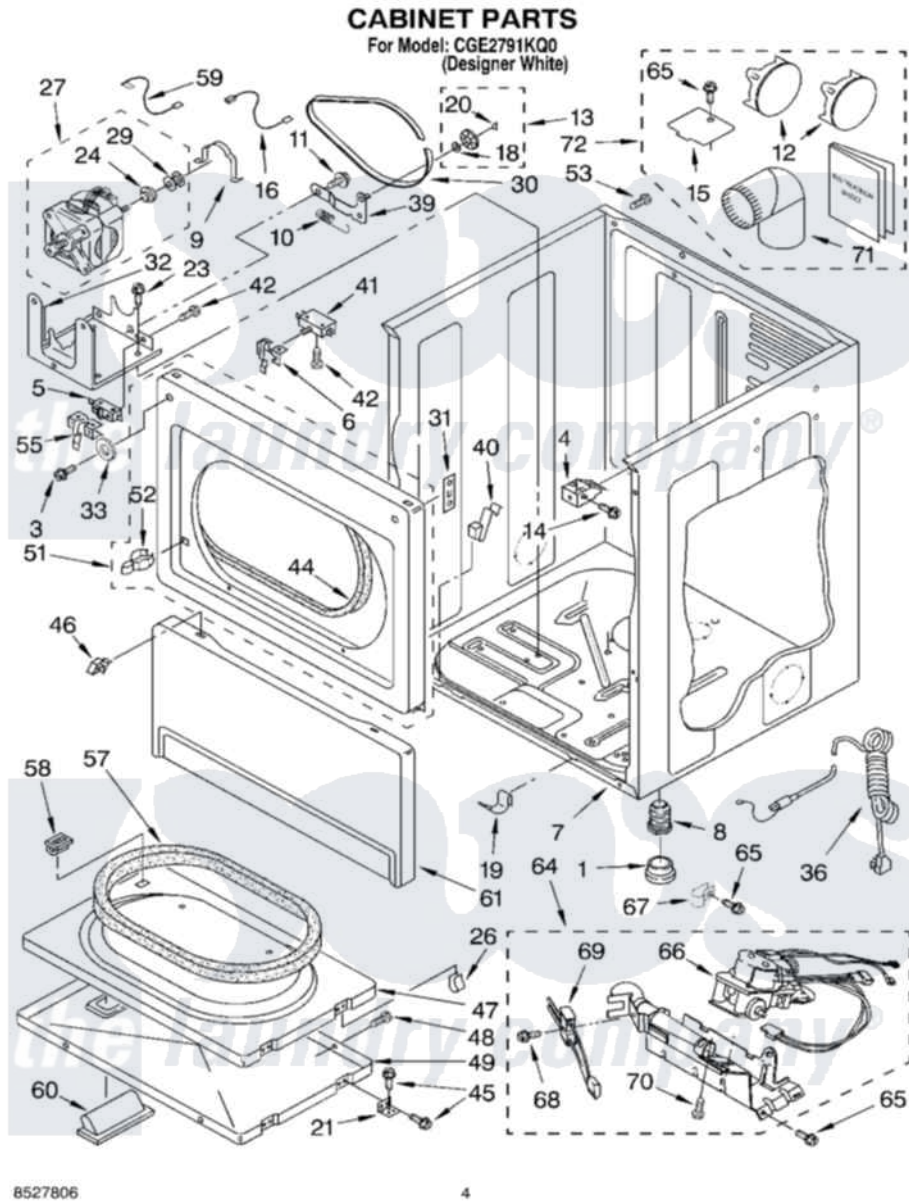


# Whirlpool CGE2791KQ0 03 - CABINET



8527806

4

Whirlpool [Commercial Whirlpool CGE2791KQ0 Dryer Parts](#) Parts Diagram 03 - CABINET  
Click on the part number to view part

Item	Original Part Number	Replaced By	Status	Part Description
1	<a href="#">3391943</a>			Boot, Foot
3	3393258	<a href="#">3373329D</a>		Screw
4	<a href="#">3391846</a>			Clip, Front Panel
5	3394881	<a href="#">279782</a>		Switch-Lid
6	<a href="#">691581</a>			Lever, Door Switch
7	<a href="#">8310656</a>			Cabinet
8	3392100	<a href="#">49621</a>		Feet-Leveling
"	<a href="#">279810</a>			Foot-Optional
9	<a href="#">660658</a>			Clamp, Motor Mounting 343481 685441
10	<a href="#">3387374</a>			Spring, Idler
11	<a href="#">3389420</a>			Retainer-Idler 1/4-20 X 1/16
12	697750	<a href="#">W10470674</a>		Dryer Exhaust Kit
13	3388672	<a href="#">279640</a>		Pulley-ldr
14	3391915	<a href="#">681615</a>		Screw
15	<a href="#">3394331</a>			Plate Cover
16	<a href="#">3394081</a>			Wire, Broken Belt Switch

18	<a href="#">233520</a>		Washer, Thrust
19	<a href="#">297092</a>		Clip
20	<a href="#">690997</a>		Washer, Thrust
21	<a href="#">3389247</a>		Hinge And Pin Assembly
23	3390663	<a href="#">681414</a>	Screw, 10AB X 1/2
24	<a href="#">3393657</a>		Restrainer, Belt
26	<a href="#">3389249</a>		Nut, Inner Door
27	661656	<a href="#">W10438970</a>	Motor-Drve
29	3389627	<a href="#">W10299847</a>	Pulley-Motor
30	3387610	<a href="#">661570</a>	Belt
31	<a href="#">3390902</a>		Clip, Door Hinge
32	<a href="#">3387118</a>		Bracket, Motor
33	3392186	<a href="#">4159590</a>	Washer
36	3401401	<a href="#">3401402</a>	Cord, Power
39	3388674	<a href="#">W10118756</a>	Idler Bracket
40	<a href="#">3388600</a>		Clip, Lint Duct
41	347207	<a href="#">279347</a>	Switch-Lid
42	<a href="#">98129</a>		Screw, 6-20 X 1 1/16
44	<a href="#">3387242</a>		Seal, Front Panel
45	342055	<a href="#">488627</a>	Screw
46	<a href="#">3388229</a>		Retainer, Toe Panel
47	3392563	<a href="#">280083</a>	Door-Rear
48	<a href="#">694091</a>		Trim, Side Right Hand
49	<a href="#">3387872</a>		Door, Front
51	3393081	<a href="#">279722</a>	Panel
52	696144	<a href="#">279570</a>	Latch
53	697776	<a href="#">4331106</a>	Screw, No.10-32 X 7/16
55	3391408	<a href="#">8066120</a>	Lever, Door Switch
57	<a href="#">3390735</a>		Seal, Door
58	3392538	<a href="#">279570</a>	Latch
59	<a href="#">3398948</a>		Wire, Jumper
60	<a href="#">3389522</a>		Handle, Door
61	697215	<a href="#">3406797</a>	Toe Panel
64	3401797	<a href="#">285904</a>	Burner-Gas
65	3390647	<a href="#">488729</a>	Screw
66	3401775	<a href="#">279923</a>	NAT Gas
67	<a href="#">3387561</a>		Clamp-Pipe
68	<a href="#">3393909</a>		Screw, 8-32 X 7/8
69	686590	<a href="#">279311</a>	Ignitor
70	<a href="#">3387057</a>		Screw, 10-16 X 1/2 Orifice, Burner
71	279731	<a href="#">49026</a>	4" - 90° Elbow
72	279818	<a href="#">W10470674</a>	Dryer Exhaust Kit

the laundry company®