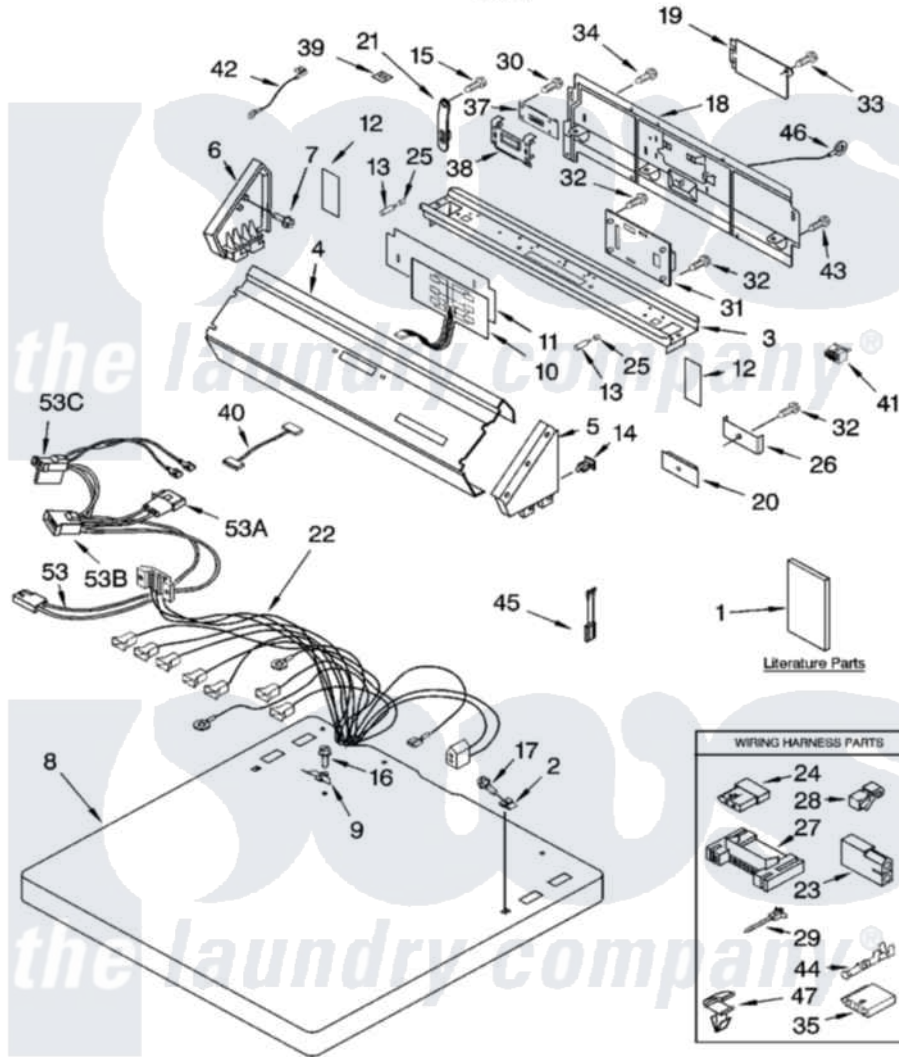


Whirlpool CGE2791KQ2 01 - TOP AND CONSOLE PARTS

TOP AND CONSOLE PARTS

For Model: CGE2791KQ2
(White)



8562519

2

Whirlpool Commercial Whirlpool CGE2791KQ2 Dryer Parts Parts Diagram 01 - TOP AND CONSOLE PARTS
Click on the part number to view part

| Item | Original Part Number | Replaced By | Status | Part Description |
|------|-------------------------|---------------------------|---------------|---|
| 1 | LIT8527810 | | Not Available | Literature Parts (Instructions. Installation) |
| " | LIT8527859 | | Not Available | Literature Parts (Wiring Diagram) |
| " | LIT8527811 | | Not Available | Literature Parts (Tech Sheet) |
| " | LIT8562519 | | Not Available | Literature Parts (Repair Parts List) |
| 2 | 357213 | | | Nut, Push-In |
| 3 | 3978881 | | | Bracket, Control |
| 4 | 8527821 | | Not Available | Panel, Control |
| 5 | 3949737 | | | Cap, End |
| 6 | 3949734 | W10096320 | | Cap, End |
| 7 | 97787 | W10109200 | | Screw, Baffle Mounting |
| 8 | 3978884 | | | Top |
| 9 | 3355753 | | | Clip, Static Ground |
| 10 | 3407171 | | | Switch, Membrane |
| 11 | 3950773 | | | Backer Plate |

| | | | |
|----|-------------------------|---------------------------|---|
| 12 | 3950775 | | Backer Plate, Side |
| 13 | 3950774 | 3950773 | Backer Plate |
| 14 | 689559 | | Nut, Push-In |
| 15 | 3390647 | 488729 | Screw |
| 16 | 3393918 | 355214 | Screw And Washer |
| 17 | 8281182 | | Screw, 8-18 X 1 1/4 |
| 18 | 8317305 | 285909 | Panel-Rear |
| 19 | 8317340 | | Cover, Terminal Block |
| 20 | 3955405 | | Plug, Panel |
| 21 | 8318255 | 8568314 | Strap, Console |
| 22 | 8529871 | | Harness, Main |
| 23 | 717252 | | Receptacle, Terminal |
| 24 | 717253 | | Receptacle |
| 25 | 3951768 | | Cap, Mounting Stud |
| 26 | 3955406 | | Plug, Retainer |
| 27 | 3395683 | | Receptacle, Multi-Terminal |
| 28 | 357572 | W10113937 | Clip, Grounding |
| 29 | 3391018 | | Tie Cable |
| 30 | 90767 | | Screw, 8A X 3/8 HeX Washer Head Tapping |
| 31 | 3407165 | | Control Board |
| 32 | 3393909 | | Screw, 8-32 X 7/8 |
| 33 | 3390814 | 90767 | Screw, 8A X 3/8 HeX Washer Head Tapping |
| 34 | 693995 | | Screw, Hex Head |
| 35 | 3936144 | | Do-It-Yourself Repair Manuals |
| 37 | 3407166 | | Board, Display |
| 38 | 3406980 | | Lens, Display |
| 39 | 3363338 | | Clip |
| 40 | 3955147 | | Harness Wire |
| 41 | 3955146 | | Harness Jumper |
| 42 | 3401706 | | Wire, Ground |
| 43 | 90864 | 3351614 | Screw, Gearcase Cover Mounting |
| 44 | 94614 | | Terminal |
| 45 | 3406196 | | A.c. Line Filter |
| 46 | 3398893 | 3395559 | Wire |
| 47 | 3394427 | | Clip-Harness |
| 53 | 3401850 | | Harness-Gas |
| " | 353424 | | Plug, Terminal |
| " | 3403498 | | Connector, 3-Position |
| " | 3403499 | | Connector, 2-Postion |