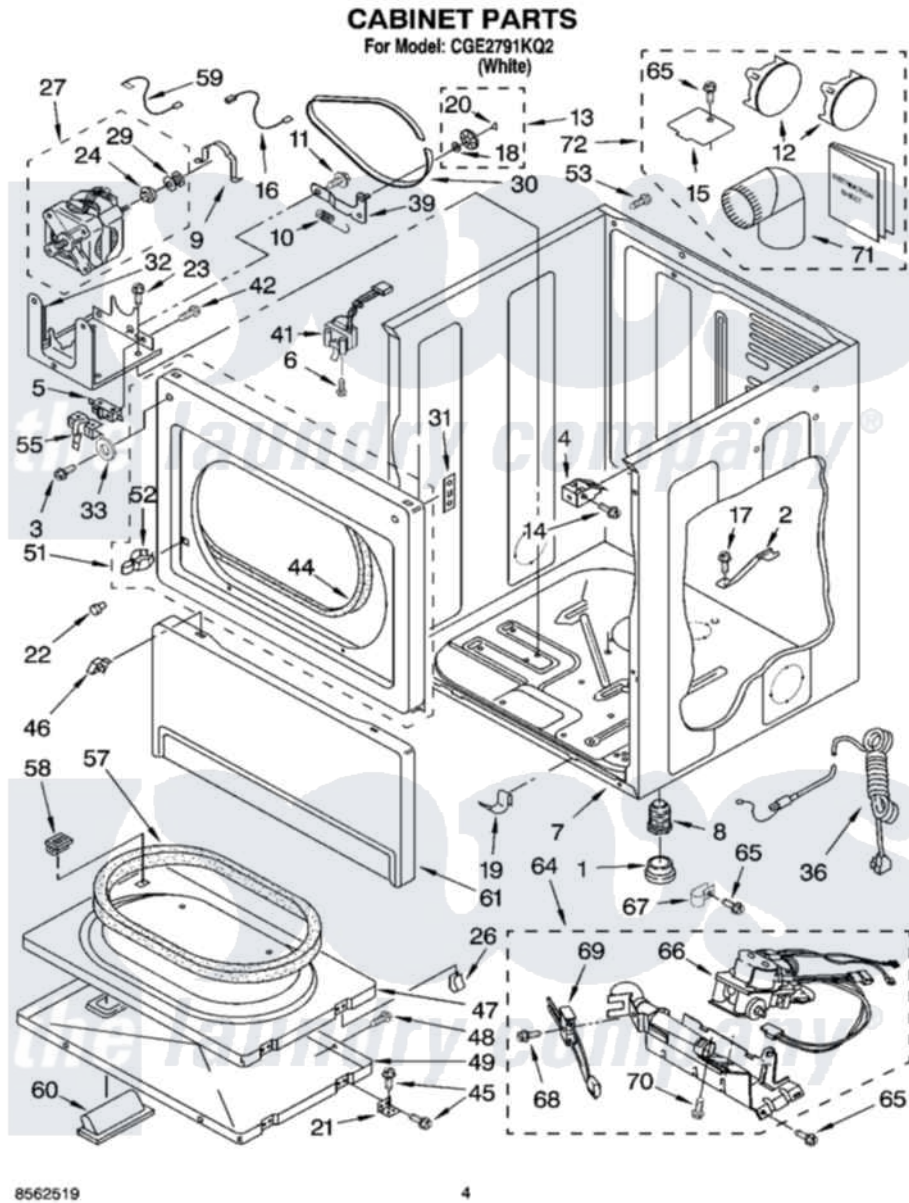


Whirlpool CGE2791KQ2 02 - CABINET PARTS



8562519

4

Whirlpool [Commercial Whirlpool CGE2791KQ2 Dryer Parts](#) Parts Diagram 02 - CABINET PARTS
Click on the part number to view part

| Item | Original Part Number | Replaced By | Status | Part Description |
|------|-------------------------|---------------------------|--------|--|
| 1 | 3391943 | | | Boot, Foot |
| 2 | 8529757 | | | Bracket, Burner |
| 3 | 3393258 | 3373329D | | Screw |
| 4 | 3391846 | | | Clip, Front Panel |
| 5 | 3394881 | 279782 | | Switch-Lid |
| 6 | 697773 | 3395530 | | Screw |
| 7 | 8310656 | | | Cabinet |
| 8 | 3392100 | 49621 | | Feet-Leveling |
| " | 279810 | | | Foot-Optional |
| 9 | 660658 | | | Clamp, Motor Mounting 343481 685441 |
| 10 | 3387374 | | | Spring, Idler |
| 11 | 3389420 | | | Retainer-Idler 1/4-20 X 1/16 |
| 12 | 697750 | W10470674 | | Dryer Exhaust Kit |
| 13 | 3388672 | 279640 | | Pulley-ldr |
| 14 | 3391915 | 681615 | | Screw |
| 15 | 3394331 | | | Plate Cover |

| | | | |
|----|-------------------------|---------------------------|---------------------------------------|
| 16 | 3394081 | | Wire, Broken Belt Switch |
| 17 | 693995 | | Screw, Hex Head |
| 18 | 233520 | | Washer, Thrust |
| 19 | 297092 | | Clip |
| 20 | 690997 | | Washer, Thrust |
| 21 | 3389247 | | Hinge And Pin Assembly |
| 22 | 693152 | | Bumper, Console |
| 23 | 3390663 | 681414 | Screw, 10AB X 1/2 |
| 24 | 3393657 | | Restrainer, Belt |
| 26 | 3389249 | | Nut, Inner Door |
| 27 | 8538264 | W10438970 | Motor-Drve |
| 29 | 3389627 | W10299847 | Pulley-Motor |
| 30 | 3387610 | 661570 | Belt |
| 31 | 3390902 | | Clip, Door Hinge |
| 32 | 3387118 | | Bracket, Motor |
| 33 | 3392186 | 4159590 | Washer |
| 36 | 3401401 | 3401402 | Cord, Power |
| 39 | 3388674 | W10118756 | Idler Bracket |
| 41 | 3406109 | 3406107 | Door Switch Assembly |
| 42 | 98129 | | Screw, 6-20 X 1 1/16 |
| 44 | 3387242 | | Seal, Front Panel |
| 45 | 342055 | 488627 | Screw |
| 46 | 3388229 | | Retainer, Toe Panel |
| 47 | 3392563 | 280083 | Door-Rear |
| 48 | 694091 | | Trim, Side Right Hand |
| 49 | 3387872 | | Door, Front |
| 51 | 3393081 | 279722 | Panel |
| 52 | 696144 | 279570 | Latch |
| 53 | 697776 | 4331106 | Screw, No.10-32 X 7/16 |
| 55 | 8066120 | | Lever, Door Switch |
| 57 | 3390735 | | Seal, Door |
| 58 | 3392538 | 279570 | Latch |
| 59 | 3398948 | | Wire, Jumper |
| 60 | 3389522 | | Handle, Door |
| 61 | 697215 | 3406797 | Toe Panel |
| 64 | 3401797 | 285904 | Burner-Gas |
| 65 | 3390647 | 488729 | Screw |
| 66 | 3401775 | 279923 | NAT Gas |
| 67 | 3387561 | | Clamp-Pipe |
| 68 | 3393909 | | Screw, 8-32 X 7/8 |
| 69 | 686590 | 279311 | Ignitor |
| 70 | 3387057 | | Screw, 10-16 X 1/2 Orifice, Burner |
| 71 | 279731 | 49026 | 4" - 90° Elbow |
| 72 | 279818 | W10470674 | Dryer Exhaust Kit |